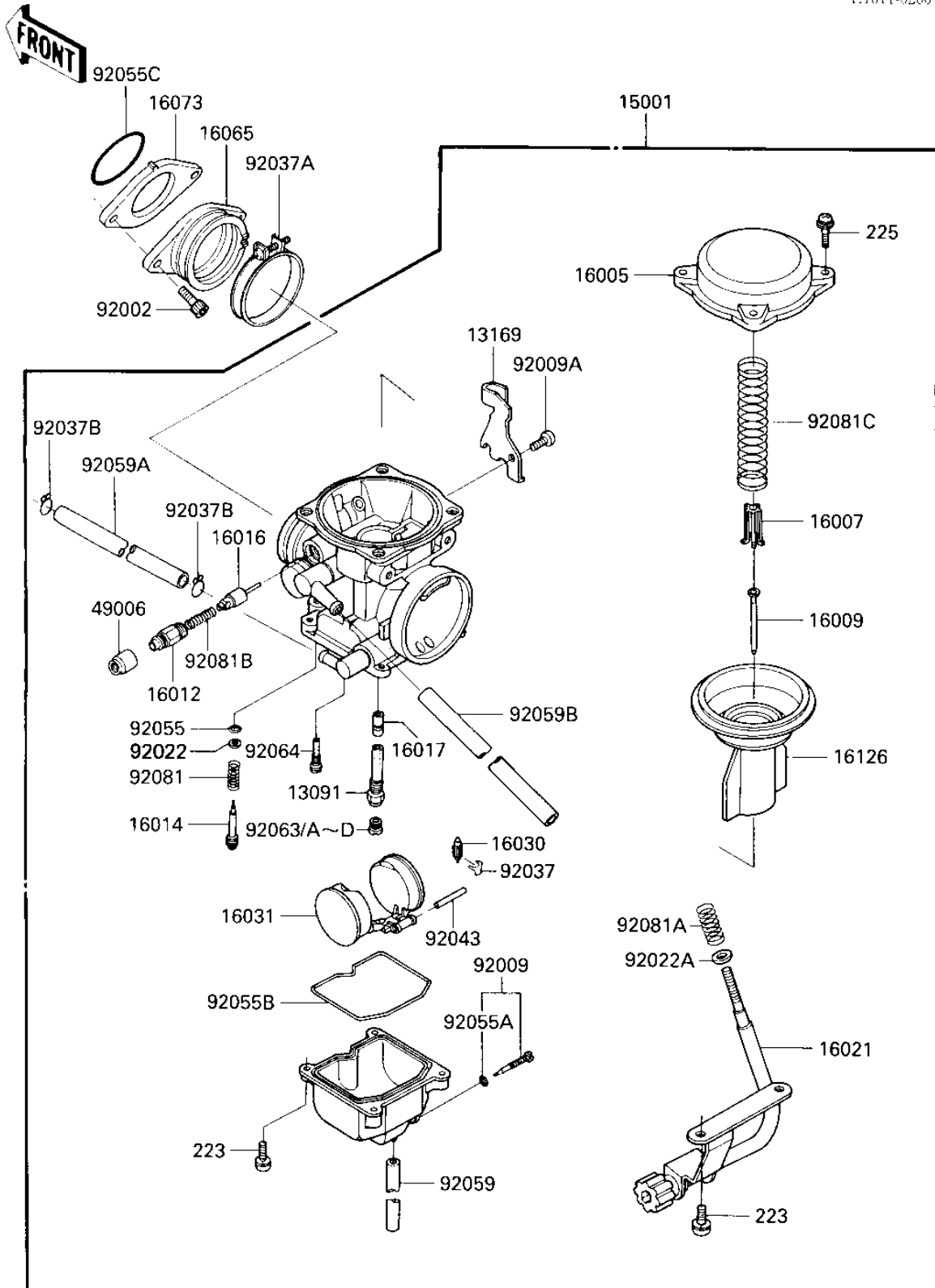


1986 Bayou 300 PARTS DIAGRAM

CARBURETOR

F.1611-0200



1986 Bayou 300 PARTS LIST

CARBURETOR

ITEM NAME	PART NUMBER	QUANTITY
HOLDER,NEEDLE JET (Ref # 13091)	13091-1259	1
PLATE,THROTTLE CABLE (Ref # 13169)	13169-1977	1
CARBURETOR-ASSY (Ref # 15001)	15001-1332	1
TOP-CHAMBER (Ref # 16005)	16005-1056	1
SEAT-SPRING (Ref # 16007)	16007-1120	1
NEEDLE-JET,27Q (Ref # 16009)	16009-1277	1
CAP-STARTER PLUNGER (Ref # 16012)	16012-1055	1
SCREW-PILOT AIR (Ref # 16014)	16014-1054	1
PLUNGER,STARTER (Ref # 16016)	16016-1065	1
JET-NEEDLE (Ref # 16017)	16017-1270	1
SCREW-THROTTLE STOP (Ref # 16021)	16021-1115	1
FLOAT VALVE (Ref # 16030)	16030-1007	1
FLOAT (Ref # 16031)	16031-1056	1
HOLDER-CARBURETOR (Ref # 16065)	16065-1177	1
INSULATOR (Ref # 16073)	16073-5001	1
VALVE,VACUUM (Ref # 16126)	16126-1160	1
BOOT,STARTER PLUNGER (Ref # 49006)	49006-1165	1
BOLT,6X25 (Ref # 92002)	92002-1093	2
SCREW,DRAIN (Ref # 92009)	92009-1095	1
SCREW (Ref # 92009A)	92009-1365	1
WASHER,PLAIN (Ref # 92022)	92022-1003	1
WASHER,PLAIN,STOP SPR (Ref # 92022A)	92022-1480	1
CLIP,FLOAT VALVE (Ref # 92037)	16044-007	1
CLAMP (Ref # 92037A)	92037-1326	1
CLAMP,TUBE (Ref # 92037B)	92037-1531	2
PIN,FLOAT (Ref # 92043)	92043-1148	1
O RING,PILOT ADJ (Ref # 92055)	92055-1002	1
"O" RING,DRAIN SCREW (Ref # 92055A)	92055-1053	1
RING-O,FLOAT CHAMBER (Ref # 92055B)	92055-1222	1

1986 Bayou 300 PARTS LIST

CARBURETOR

ITEM NAME	PART NUMBER	QUANTITY
RING-O,38MM (Ref # 92055C)	92055-1295	1
HOSE,FUEL OVERFLOW (Ref # 92059)	92059-111	1
TUBE,6.5X11.5X150 (Ref # 92059A)	92059-1463	1
TUBE,6.5X9.5X410 (Ref # 92059B)	92059-1539	1
MAIN JET,#135 (Ref # 92063)	92063-1014	1
MAIN JET,2ND,#125 (Ref # 92063A)	92063-1069	1
MAIN JET,2ND,#128 (Ref # 92063B)	92063-1074	1
MAIN JET,2ND,#130 (Ref # 92063C)	92063-1075	1
JET-MAIN,#132 (Ref # 92063D)	92063-1076	1
JET-PILOT (Ref # 92064)	92064-1119	1
SPRING,PIROT ADJ SCRW (Ref # 92081)	92081-1002	1
SPRING,THROTTLE STOP (Ref # 92081A)	92081-1617	1
SPRING,PLUNGER (Ref # 92081B)	92081-1720	1
SPRING,VACUUM VALVE (Ref # 92081C)	92081-1912	1
SCREW-PAN-WS-CROS (Ref # 223)	223C0416	4
SCREW-PAN-WSP-CROS (Ref # 225)	225C0418	4