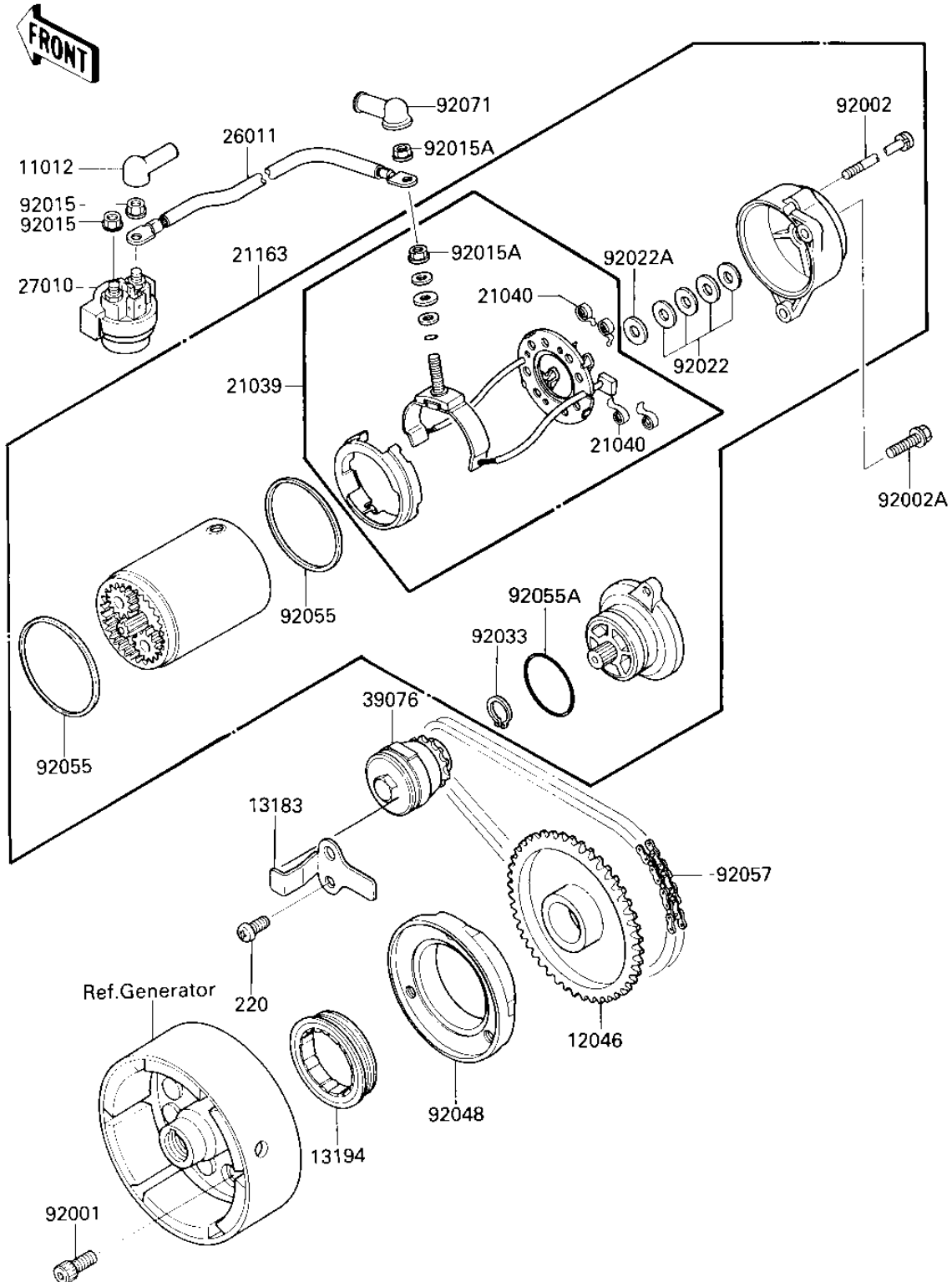


1986 Bayou 300 PARTS DIAGRAM

STARTER MOTOR/STARTER CLUTCH (E/NO. 0176)

E1840-0073



1986 Bayou 300 PARTS LIST

STARTER MOTOR/STARTER CLUTCH (E/NO. 0176)

| ITEM NAME | PART NUMBER | QUANTITY |
|-------------------------------------|-------------|----------|
| CAP,TERMINAL (Ref # 11012) | 11012-1354 | 1 |
| SPROCKET,STARTER (Ref # 12046) | 12046-1077 | 1 |
| PLATE (Ref # 13183) | 13183-1002 | 1 |
| CLUTCH-ONEWAY (Ref # 13194) | 13194-1061 | 1 |
| BRUSH,CARBON (Ref # 21039) | 21039-1053 | 1 |
| SPRING-BRUSH (Ref # 21040) | 21040-1003 | 4 |
| STARTER-ELECTRIC (Ref # 21163) | 21163-1115 | 1 |
| WIRE-LEAD,STATER MOTO (Ref # 26011) | 26011-1327 | 1 |
| SWITCH,STARTER (Ref # 27010) | 27010-1314 | 1 |
| LIMITER,STARTER IDLE (Ref # 39076) | 39076-1054 | 1 |
| BOLT (Ref # 92001) | 120P0816 | 3 |
| BOLT (Ref # 92002) | 92002-1474 | 2 |
| BOLT (Ref # 92002A) | 92002-1664 | 2 |
| NUT,FLANGED,6MM (Ref # 92015) | 92015-1367 | 2 |
| NUT,6MM (Ref # 92015A) | 92015-1476 | 2 |
| WASHER,THRUST,0.2T (Ref # 92022) | 21025-011 | 4 |
| WASHER,THRUST,0.8T (Ref # 92022A) | 92022-1132 | 1 |
| CIRCLIP,13M/M (Ref # 92033) | 92033-037 | 1 |
| OUTER,ONE WAY CLUTCH (Ref # 92048) | 92048-1061 | 1 |
| "0" RING,STARTER MOTR (Ref # 92055) | 92055-1086 | 2 |
| RING-O (Ref # 92055A) | 92055-1313 | 1 |
| CHAIN STARTER (Ref # 92057) | 92057-1196 | 1 |
| GROMMET,CORD (Ref # 92071) | 21017-017 | 1 |
| SCREW PAN HEAD 6X14 (Ref # 220) | 220B0614 | 1 |