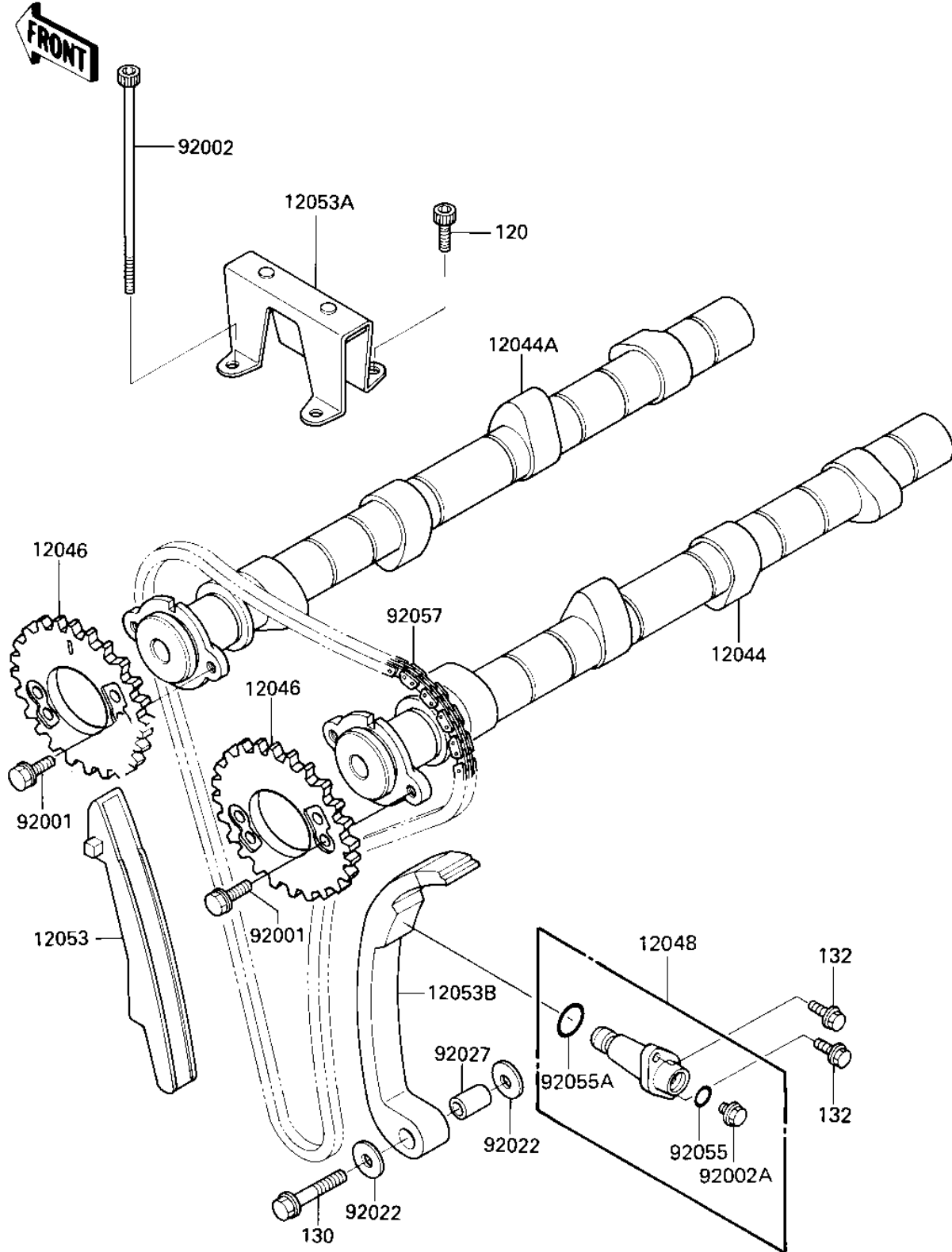


1985 Eliminator PARTS DIAGRAM

CAMSHAFTS/CHAIN/TENSIONER

E1230-0047



1985 Eliminator PARTS LIST

CAMSHAFTS/CHAIN/TENSIONER

| ITEM NAME | PART NUMBER | QUANTITY |
|--------------------------------------|-------------|----------|
| CAMSHAFT-VALVE,INTAKE (Ref # 12044) | 12044-1151 | 1 |
| CAMSHAFT-VALVE,EXHAUS (Ref # 12044A) | 12044-1152 | 1 |
| SPROCKET,CAMSHAFT,34T (Ref # 12046) | 12046-1082 | 2 |
| TENSIONER-ASSY,CAM CH (Ref # 12048) | 12048-1071 | 1 |
| GUIDE-CHAIN,FR (Ref # 12053) | 12053-1114 | 1 |
| GUIDE-CHAIN,UPP (Ref # 12053A) | 12053-1115 | 1 |
| GUIDE-CHAIN,RR (Ref # 12053B) | 12053-1116 | 1 |
| BOLT,SPROCKET FITTING (Ref # 92001) | 92003-208 | 4 |
| BOLT,6X118 (Ref # 92002) | 92001-1904 | 2 |
| BOLT (Ref # 92002A) | 92002-1302 | 1 |
| WASHER,8.2X19X2 (Ref # 92022) | 92022-1533 | 2 |
| COLLAR,8.2X10.5X15.6 (Ref # 92027) | 92027-1763 | 1 |
| O RING (Ref # 92055) | 670D2010 | 1 |
| "0" RING,21MM (Ref # 92055A) | 670D2021 | 1 |
| CHAIN,CAMSHAFT (Ref # 92057) | 92057-1160 | 1 |
| BOLT,6X14 (Ref # 120) | 120P0614 | 2 |
| BOLT,FLANGED,8X35 (Ref # 130) | 130G0835 | 1 |
| BOLT-FLANGED-SMALL (Ref # 132) | 132J0625 | 2 |