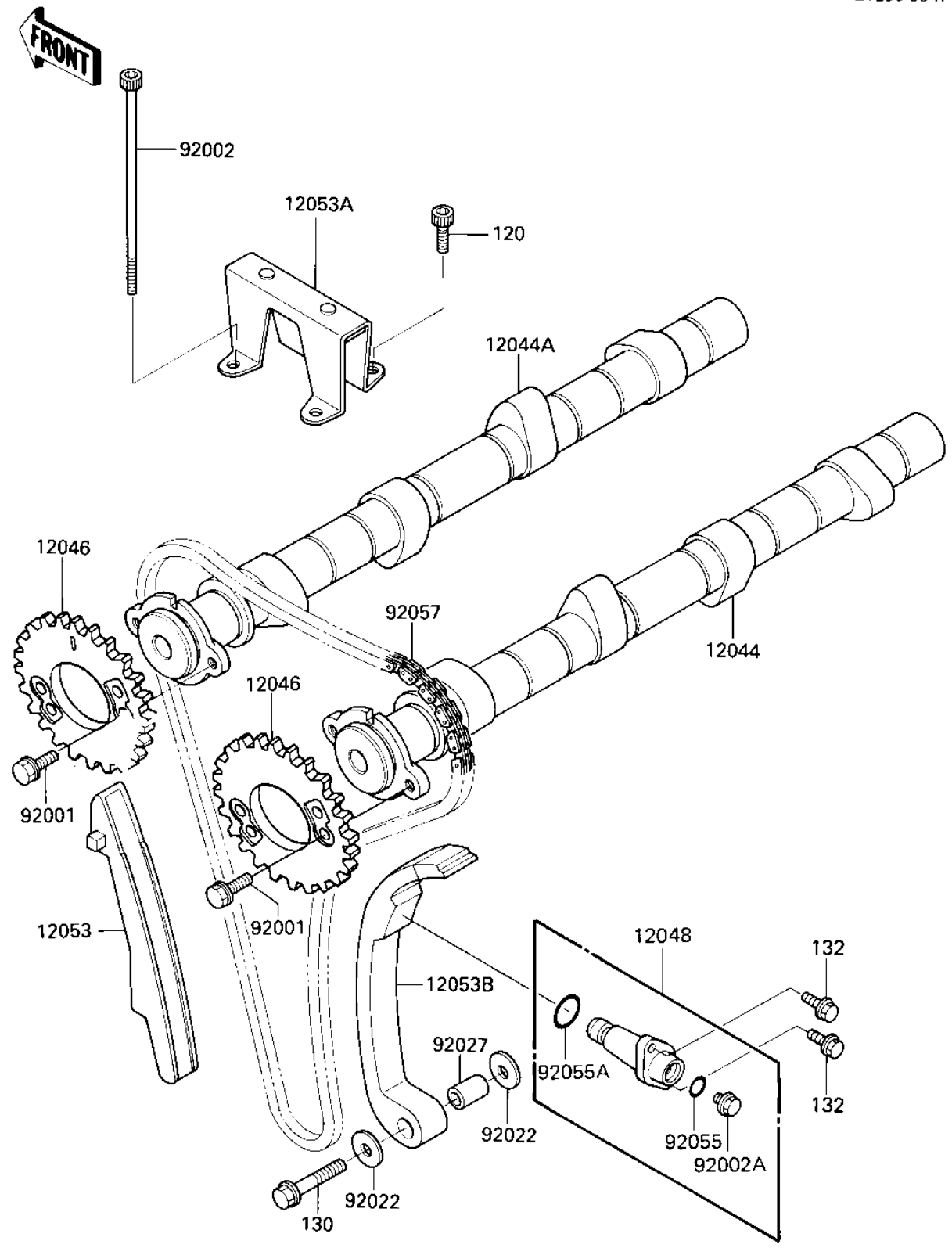


1986 Eliminator PARTS DIAGRAM

CAMSHAFTS/CHAIN/TENSIONER

E1230-0047



1986 Eliminator PARTS LIST

CAMSHAFTS/CHAIN/TENSIONER

ITEM NAME	PART NUMBER	QUANTITY
CAMSHAFT-VALVE,INTAKE (Ref # 12044)	12044-1151	1
CAMSHAFT-VALVE,EXHAUS (Ref # 12044A)	12044-1152	1
SPROCKET,CAMSHAFT,34T (Ref # 12046)	12046-1082	2
TENSIONER-ASSY,CAM CH (Ref # 12048)	12048-1071	1
GUIDE-CHAIN,FR (Ref # 12053)	12053-1114	1
GUIDE-CHAIN,UPP (Ref # 12053A)	12053-1115	1
GUIDE-CHAIN,RR (Ref # 12053B)	12053-1116	1
BOLT,SPROCKET FITTING (Ref # 92001)	92003-208	4
BOLT,6X118 (Ref # 92002)	92001-1904	2
BOLT (Ref # 92002A)	92002-1302	1
WASHER,8.2X19X2 (Ref # 92022)	92022-1533	2
COLLAR,8.2X10.5X15.6 (Ref # 92027)	92027-1763	1
O RING (Ref # 92055)	670D2010	1
"O" RING,21MM (Ref # 92055A)	670D2021	1
CHAIN,CAMSHAFT (Ref # 92057)	92057-1160	1
BOLT,6X14 (Ref # 120)	120P0614	2
BOLT,FLANGED,8X35 (Ref # 130)	130G0835	1
BOLT-FLANGED-SMALL (Ref # 132)	132J0625	2