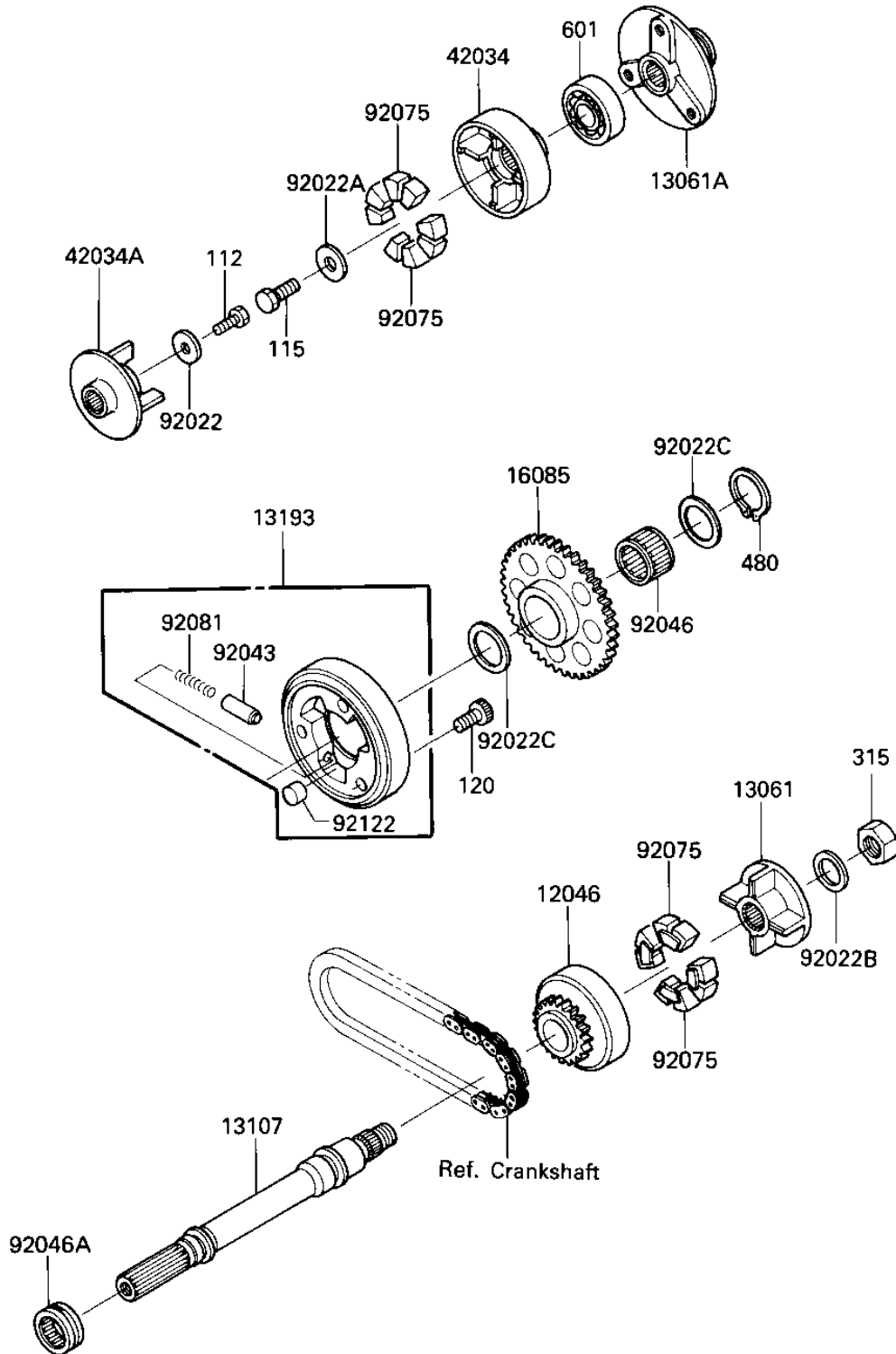


1986 Eliminator PARTS DIAGRAM

GENERATOR SHAFT/STARTER CLUTCH

E1324-0001



1986 Eliminator PARTS LIST

GENERATOR SHAFT/STARTER CLUTCH

ITEM NAME	PART NUMBER	QUANTITY
SPROCKET,GENERATOR (Ref # 12046)	12046-1068	1
BOSS,SPROCKET (Ref # 13061)	13061-1111	1
BOSS,COUPLING (Ref # 13061A)	13061-1112	1
SHAFT (Ref # 13107)	13107-1108	1
CLUTCH-ASSY-ONEWAY (Ref # 13193)	13193-1052	1
GEAR,ONEWAY CLUTCH (Ref # 16085)	16085-1118	1
COUPLING (Ref # 42034)	42034-1055	1
COUPLING (Ref # 42034A)	42034-1056	1
WASHER,6X19.5X2 (Ref # 92022)	92022-1517	1
WASHER,8X22X3 (Ref # 92022A)	92022-1518	1
WASHER,16X26X2 (Ref # 92022B)	92022-1519	1
WASHER-THRUST (Ref # 92022C)	92022-225	2
PIN (Ref # 92043)	92043-087	3
BEARING,NEEDLE,K25302 (Ref # 92046)	92046-1022	1
BEARING-NEEDLE,RNA490 (Ref # 92046A)	92046-1109	1
DAMPER,COUPLING (Ref # 92075)	92075-1790	8
SPRING (Ref # 92081)	92081-110	3
ROLLER (Ref # 92122)	92122-004	3
BOLT-UPSET,6X16 (Ref # 112)	112G0616	1
BOLT,8X20 (Ref # 115)	115G0820	1
BOLT,SOCKET,8X12 (Ref # 120)	120P0812	3
NUT-HEX-FINE (Ref # 315)	315G1600	1
CIRCLIP,25M/M (Ref # 480)	480J2500	1
BEARING BALL #6203 (Ref # 601)	601A6203	1