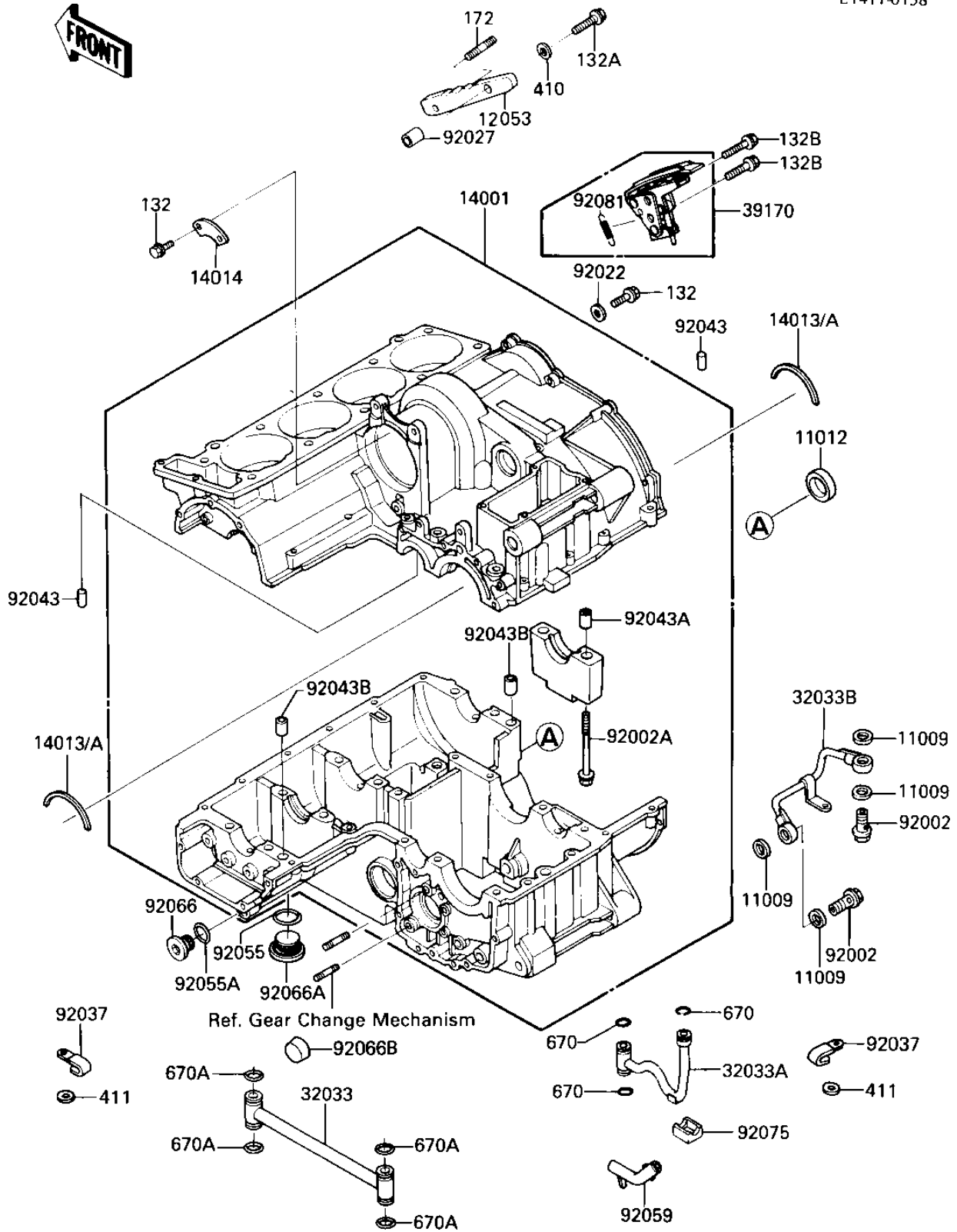


1985 Eliminator PARTS DIAGRAM

CRANKCASE

E1411-0138



1985 Eliminator PARTS LIST

CRANKCASE

ITEM NAME	PART NUMBER	QUANTITY
GASKET,12.4X17X1.5 (Ref # 11009)	11009-1376	4
CAP (Ref # 11012)	11012-1454	1
GUIDE-CHAIN (Ref # 12053)	12053-1138	1
UNAVAILABLE IN PRICE BOOK (Ref # 14001)	14004-5190	1
RING-POSITION (Ref # 14013)	14013-1005	2
RING-POSITION (Ref # 14013A)	14013-1006	2
PLATE-POSITION (Ref # 14014)	14014-1056	1
PIPE,MAIN GALLERY (Ref # 32033)	32033-1201	1
PIPE (Ref # 32033A)	32033-1202	1
PIPE (Ref # 32033B)	32033-1961	1
TENSIONER-COMP (Ref # 39170)	39170-1053	1
BOLT,BANJO,12X23 (Ref # 92002)	92001-1871	2
BOLT (Ref # 92002A)	92002-1649	2
WASHER,6X19.5X2 (Ref # 92022)	92022-1517	1
COLLAR,8X15 (Ref # 92027)	92027-1079	1
CLAMP,WIRING HARNESS (Ref # 92037)	92037-1539	2
PIN DOWEL 6MM (Ref # 92043)	92042-016	2
PIN,DOWEL,12MM (Ref # 92043A)	92042-031	2
PIN,DOWEL,10X8.2X14 (Ref # 92043B)	92043-1037	2
RING-O,25.7X2.4 (Ref # 92055)	92055-1136	1
RING-O (Ref # 92055A)	92055-1146	1
TUBE (Ref # 92059)	92059-1508	1
PLUG,MAIN GALLERY,18X (Ref # 92066)	92066-1096	1
PLUG,25X8 (Ref # 92066A)	92066-1161	1
PLUG,BALANCER (Ref # 92066B)	92066-1204	1
DAMPER (Ref # 92075)	92075-1785	1
SPRING (Ref # 92081)	92081-1668	1
BOLT-FLANGED-SMALL (Ref # 132)	132G0612	3
BOLT-FLANGED-SMALL (Ref # 132A)	132G0625	1

1985 Eliminator PARTS LIST

CRANKCASE

ITEM NAME	PART NUMBER	QUANTITY
BOLT-FLANGED-SMALL (Ref # 132B)	132G0630	2
STUD 6X16 (Ref # 172)	172G0616	1
WASHER PLAIN 6MM (Ref # 410)	410B0600	1
WASHER PLAIN (Ref # 411)	411F0600	2
O RING (Ref # 670)	670D1509	3
O RING (Ref # 670A)	670D2016	4