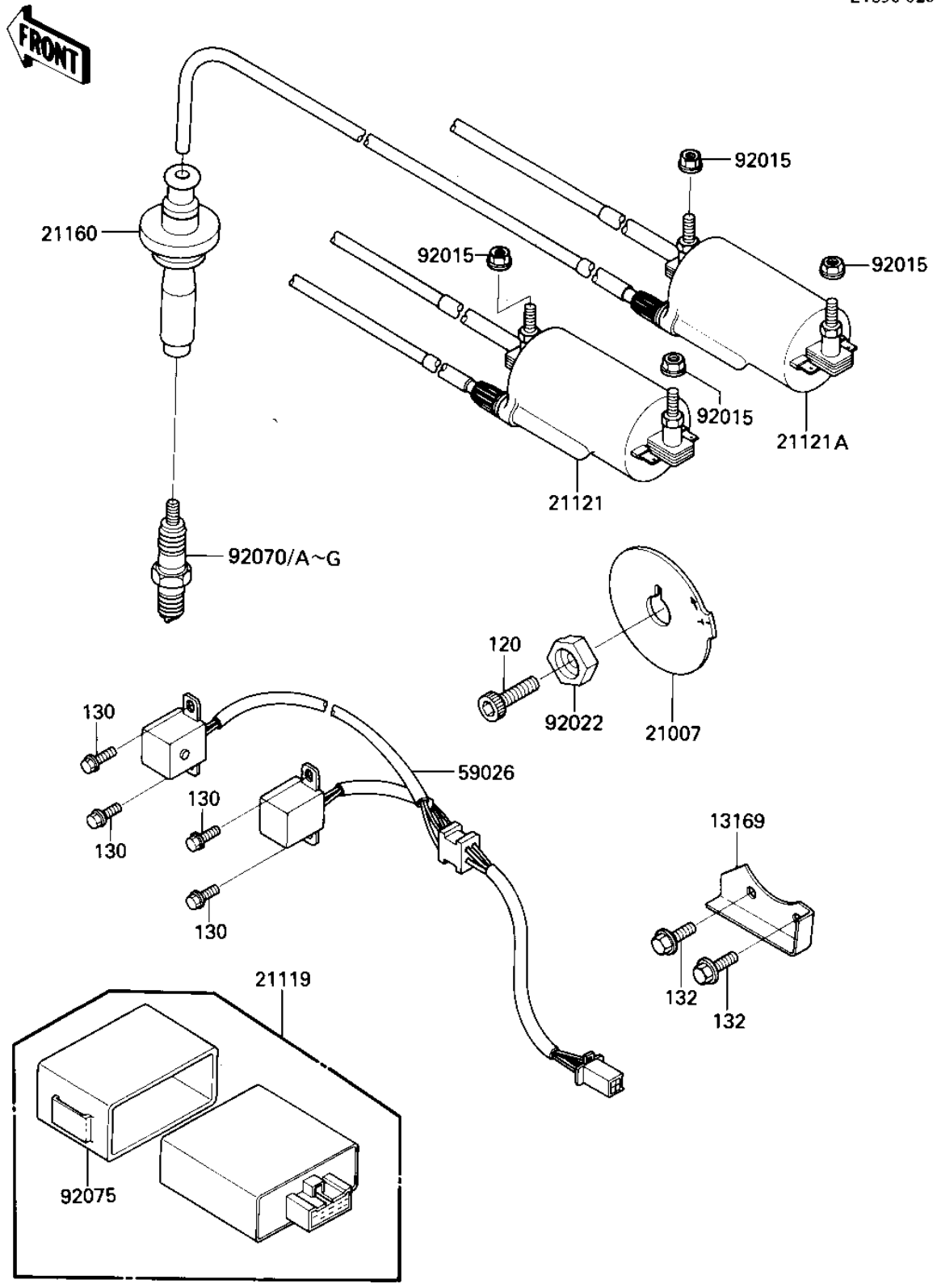


# 1985 Eliminator PARTS DIAGRAM

IGNITION

E1830-0207



# 1985 Eliminator PARTS LIST

## IGNITION

ITEM NAME	PART NUMBER	QUANTITY
PLATE,CHAIN GUIDE (Ref # 13169)	13169-1748	1
ROTOR,PULSING COIL (Ref # 21007)	21007-1109	1
IGNITER (Ref # 21119)	21119-1110	1
COIL-IGNITION (Ref # 21121)	21121-1135	1
COIL-IGNITION (Ref # 21121A)	21121-1136	1
CAP-ASSY-PLUG (Ref # 21160)	21160-1065	4
COIL-PULSING (Ref # 59026)	59026-1061	1
NUT-6MM (Ref # 92015)	92015-1078	4
WASHER,ROTOR (Ref # 92022)	92200-1173	1
SPARK PLUG D8EA (Ref # 92070)	D8EA	4
SPARK PLUG D7EA (Ref # 92070B)	D7EA	4
SPARK PLUG DR8ES (Canada) (Ref # 92070C)	92070-1019	4
UNAVAILABLE IN PRICE BOOK (Ref # 92070E)	92070-1034	4
DAMPER,IGNITER (Ref # 92075)	92075-1592	1
BOLT,SOCKET,8X25 (Ref # 120)	120P0825	1
BOLT-FLANGED (Ref # 130)	130G0512	4
BOLT-FLANGED-SMALL (Ref # 132)	132G0612	2