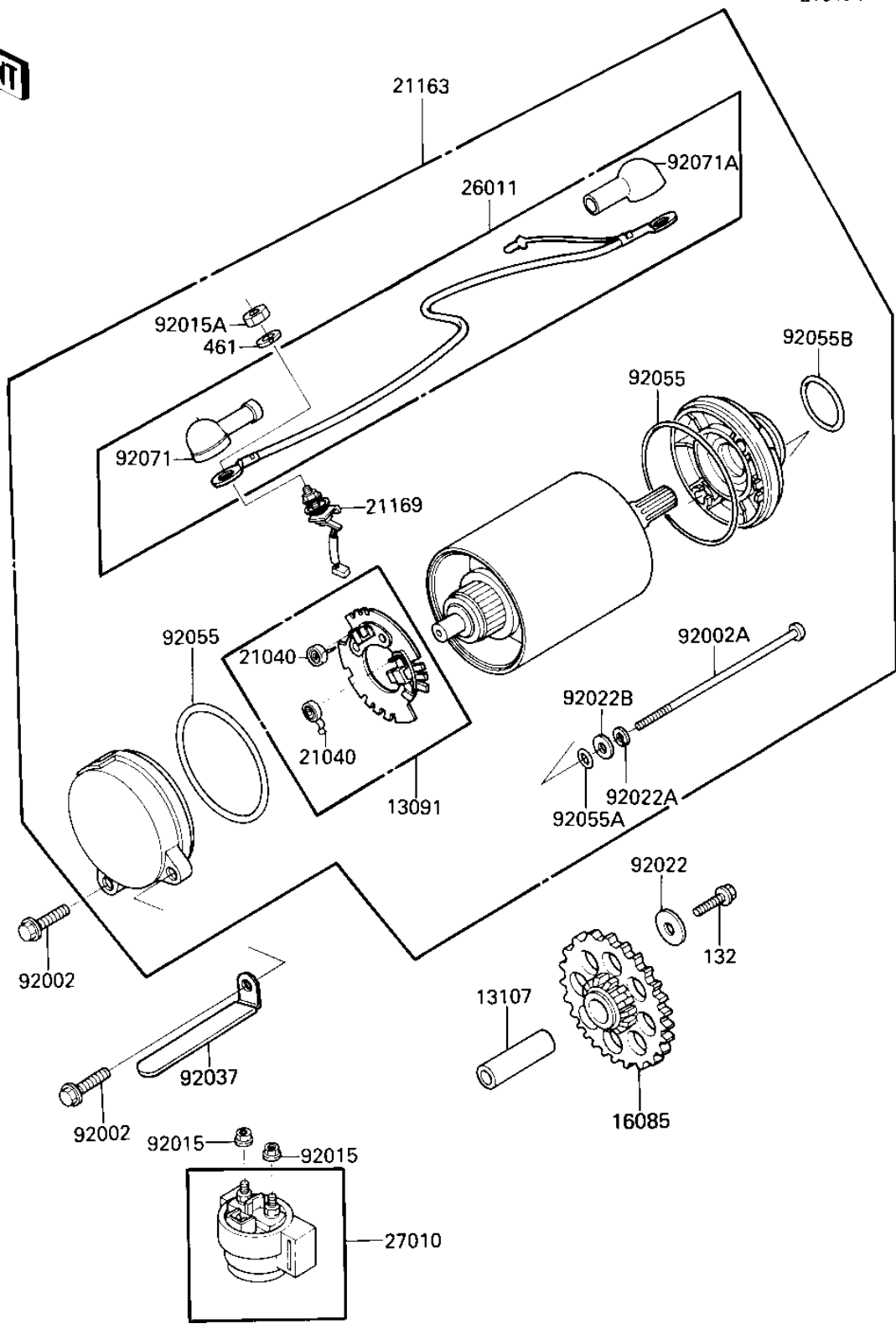


# 1985 Eliminator PARTS DIAGRAM

STARTER MOTOR

E1840-0072



# 1985 Eliminator PARTS LIST

## STARTER MOTOR

ITEM NAME	PART NUMBER	QUANTITY
HOLDER,CARBON BRUSH (Ref # 13091)	13091-1325	1
SHAFT,IDLE GEAR (Ref # 13107)	13107-1106	1
GEAR,IDLE (Ref # 16085)	16085-1119	1
SPRING-BRUSH (Ref # 21040)	21040-1051	2
STARTER-ELECTRIC (Ref # 21163)	21163-1081	1
TERMINAL,STARTER (Ref # 21169)	21169-1051	1
WIRE-LEAD,STARTER MOT (Ref # 26011)	26011-1332	1
SWITCH,STARTER (Ref # 27010)	27010-1314	1
BOLT,6X20 (Ref # 92002)	92001-1947	2
BOLT (Ref # 92002A)	92002-1377	2
NUT-6MM (Ref # 92015)	92015-1078	2
NUT,6MM (Ref # 92015A)	92015-1457	1
WASHER,6X19.5X2 (Ref # 92022)	92022-1517	1
WASHER-SPRING (Ref # 92022A)	92022-1622	2
WASHER (Ref # 92022B)	92022-1623	2
CLAMP (Ref # 92037)	92037-1679	1
RING-O,64MM (Ref # 92055)	92055-1260	2
O-RING (Ref # 92055A)	92055-1261	2
RING-O,24.4MM (Ref # 92055B)	92055-1262	1
GROMMET,STARTER TERMI (Ref # 92071)	92071-1120	1
GROMMET,TERMINAL (Ref # 92071A)	92071-1134	1
BOLT-FLANGED-SMALL (Ref # 132)	132G0612	1
WASHER SPRING 6MM (Ref # 461)	461F0600	1