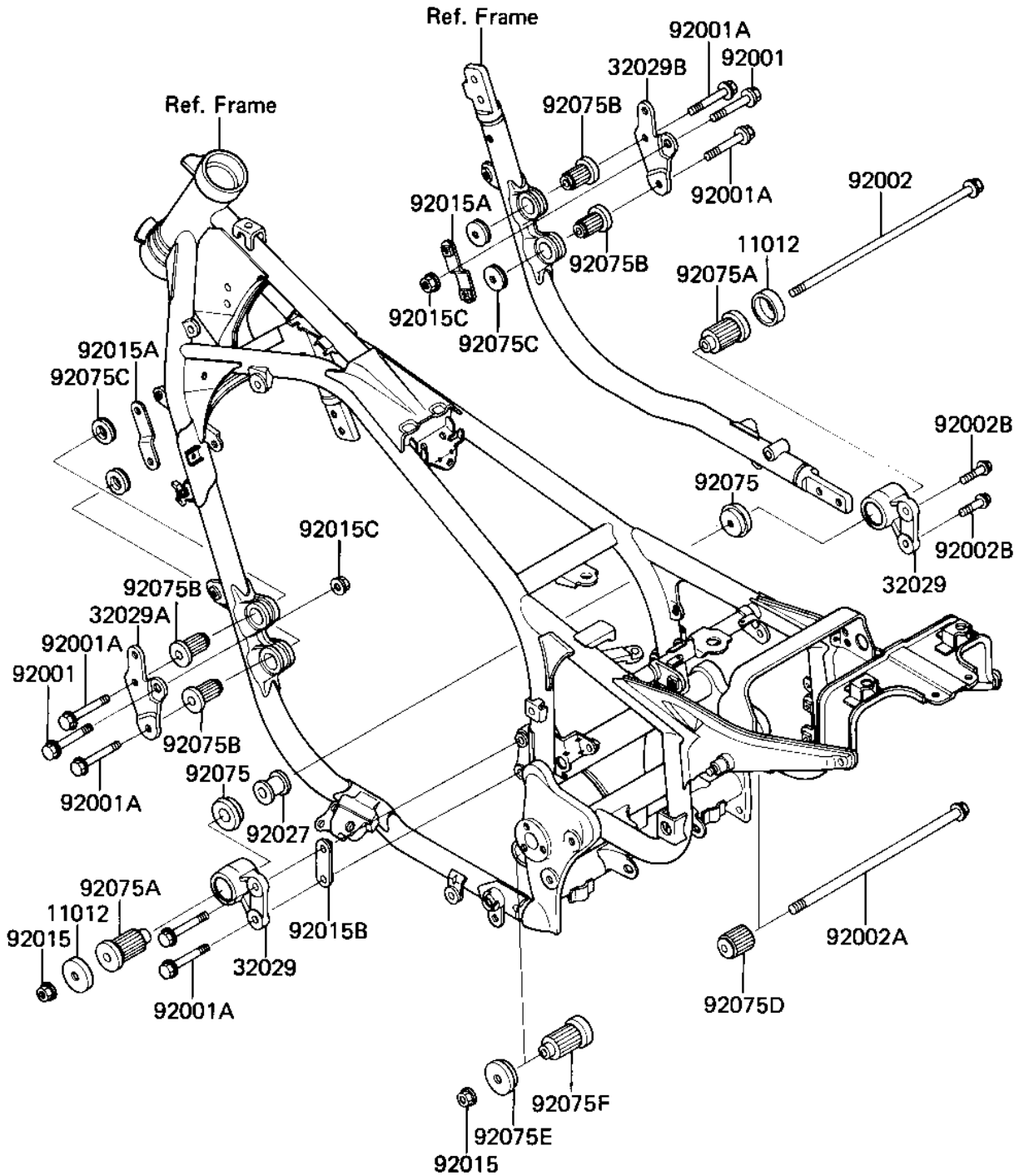


1985 Eliminator PARTS DIAGRAM

FRAME FITTINGS

F2131-0215



1985 Eliminator PARTS LIST

FRAME FITTINGS

ITEM NAME	PART NUMBER	QUANTITY
CAP,ENGINE BRACKET (Ref # 11012)	11012-1228	2
BRACKET-ENGINE,RR,UPP (Ref # 32029)	32029-1406	2
BRACKET-ENGINE,FR,LH (Ref # 32029A)	32029-1427	1
BRACKET-ENGINE,FR,RH (Ref # 32029B)	32029-1428	1
BOLT,BLACK,10X47 (Ref # 92001)	92001-1522	2
BOLT,FLANGED,8X55,BLA (Ref # 92001A)	92001-1641	6
BOLT (Ref # 92002)	92002-1360	1
BOLT,FLANGED,10X280 (Ref # 92002A)	92002-1530	1
BOLT,FLANGED,8X30 (Ref # 92002B)	92002-1532	2
NUT,FLANGED,10MM,BLAC (Ref # 92015)	92015-1180	2
NUT (Ref # 92015A)	92015-1517	2
NUT (Ref # 92015B)	92015-1518	1
NUT,LOCK,10MM (Ref # 92015C)	92019-021	2
COLLAR,L=24.8 (Ref # 92027)	92027-1990	1
DAMPER (Ref # 92075)	92075-1274	2
DAMPER,ENGINE BRACKET (Ref # 92075A)	92075-1377	2
DAMPER,ENGINE MOUNT (Ref # 92075B)	92075-1730	4
DAMPER,ENGINE MOUNT (Ref # 92075C)	92075-1731	4
DAMPER,ENGINE MOUNT (Ref # 92075D)	92075-1733	1
DAMPER,ENGINE BRACKET (Ref # 92075E)	92075-1738	1
DAMPER,ENGINE MOUNT,M (Ref # 92075F)	92075-1739	1