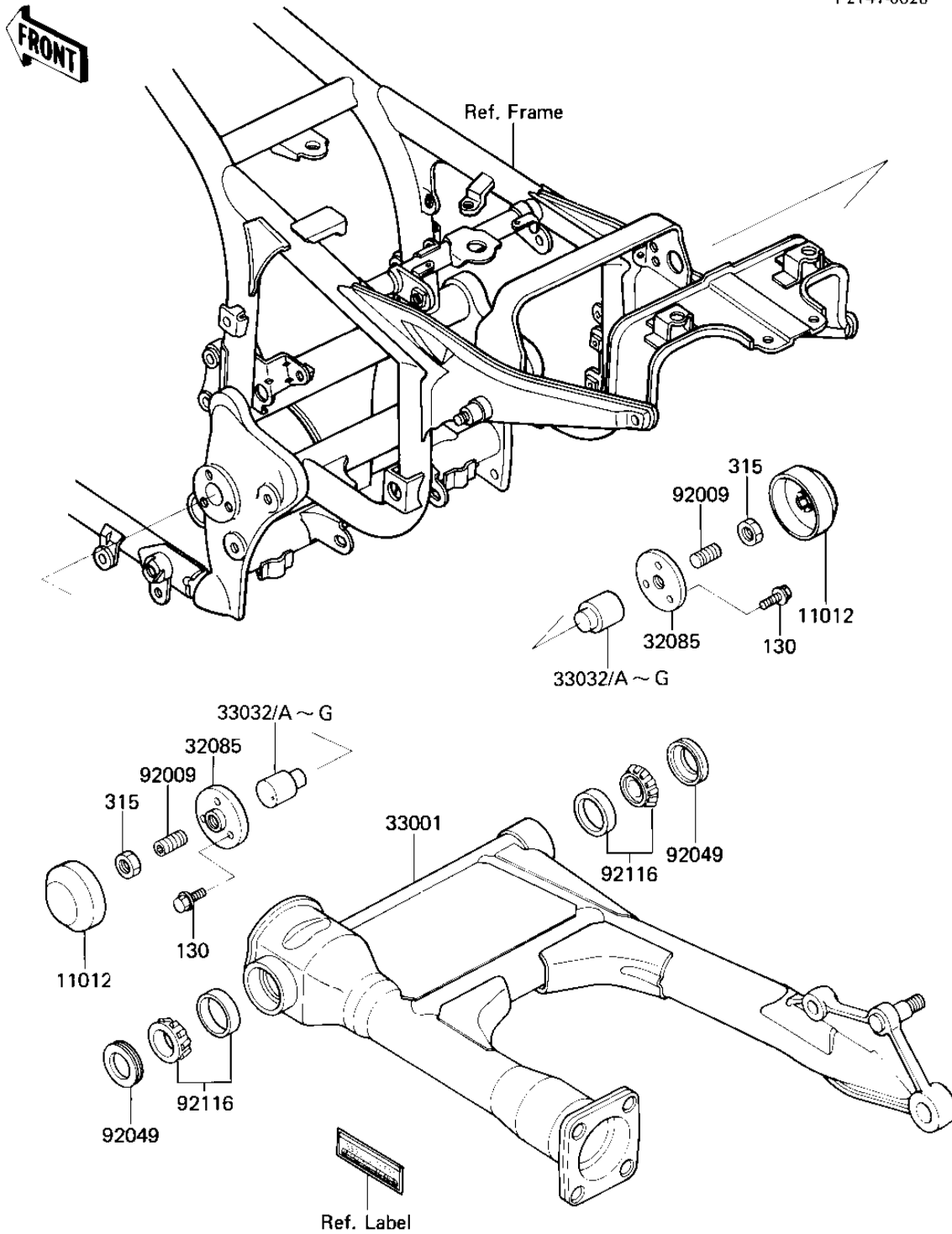


1986 Eliminator PARTS DIAGRAM

SWING ARM

F2141-0026



1986 Eliminator PARTS LIST

SWING ARM

ITEM NAME	PART NUMBER	QUANTITY
CAP,SWING ARM (Ref # 11012)	11012-1458	2
STOPPER (Ref # 32085)	32085-1212	2
ARM-COMP-SWING (Ref # 33001)	33001-1244	1
SCREW,SOCKET,12X25 (Ref # 92009)	92009-1388	2
OIL SEAL,26406 (Ref # 92049)	92049-1030	2
BRG,ROLLER,4T30203E1 (Ref # 92116)	92116-1001	2
BOLT-FLANGED,6X20 (Ref # 130)	130P0620	6
NUT-HEX-FINE,12MM (Ref # 315)	315B1200	2