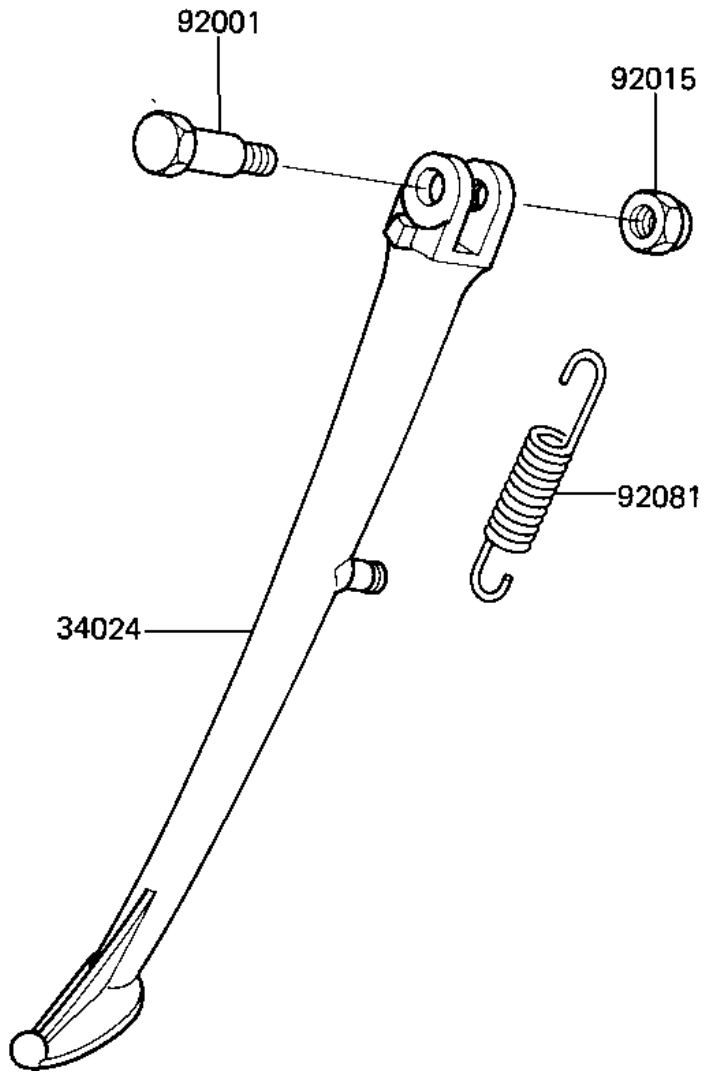


1985 Eliminator PARTS DIAGRAM

STAND



F2190-0183



1985 Eliminator PARTS LIST

STAND

ITEM NAME	PART NUMBER	QUANTITY
STAND-SIDE (Ref # 34024)	34024-1217	1
BOLT,8X160,BLACK (Ref # 92001)	92001-1543	1
NUT,LOCK,10MM,BLACK (Ref # 92015)	92015-1188	1
SPRING,SIDE STAND (Ref # 92081)	92081-1727	1