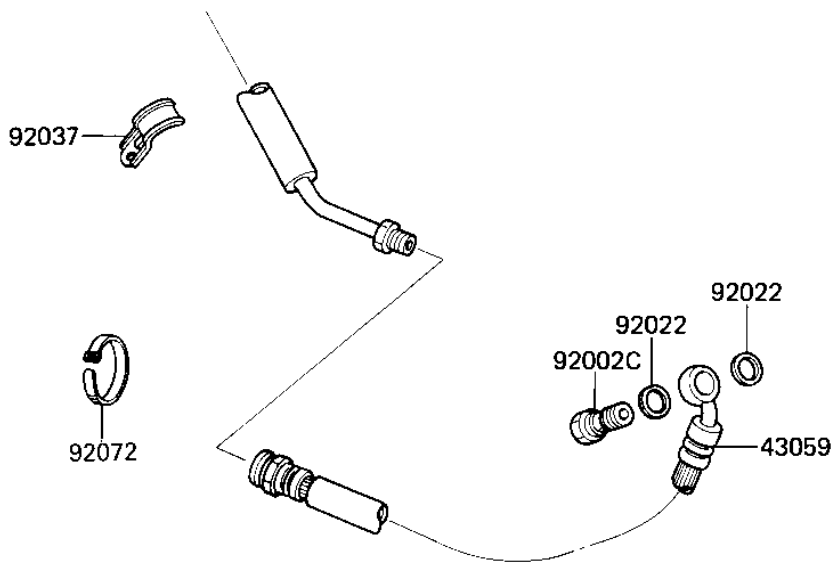
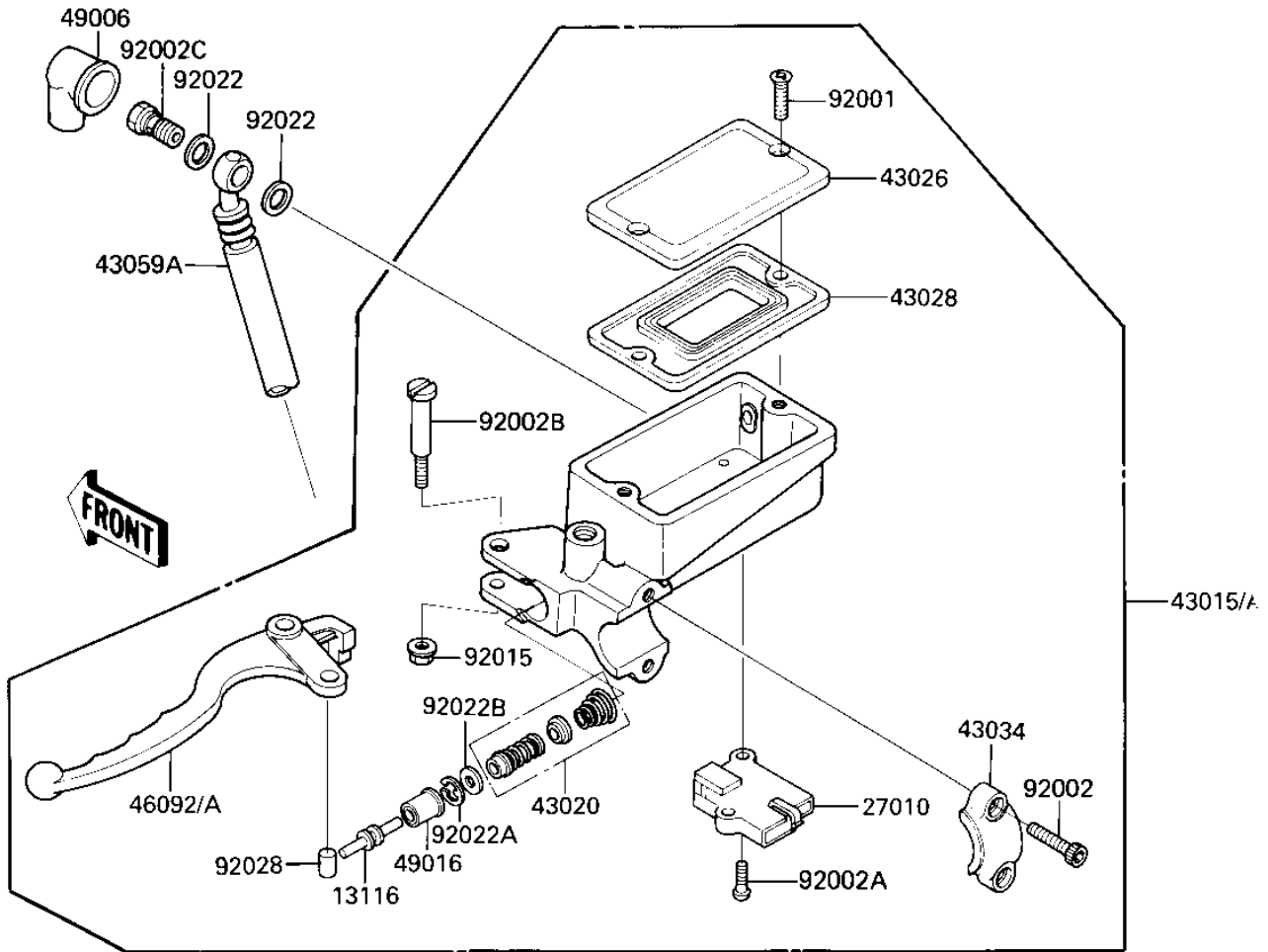


# 1985 Eliminator PARTS DIAGRAM

## CLUTCH MASTER CYLINDER

F2380-0002



# 1985 Eliminator PARTS LIST

## CLUTCH MASTER CYLINDER

ITEM NAME	PART NUMBER	QUANTITY
ROD-PUSH,MASTER CYLIN (Ref # 13116)	13116-1110	1
SWITCH,CLUTCH (Ref # 27010)	27010-1171	1
CYLINDER-ASSY-MASTER, (Ref # 43015)	43015-1306	1
PISTON-COMP-BRAKE,CLU (Ref # 43020)	43020-1055	1
CAP-BRAKE,FR (Ref # 43026)	43026-1052	1
DIAPHRAGM,MASTER CYLI (Ref # 43028)	43028-1058	1
HOLDER-BRAKE,MASTER C (Ref # 43034)	43034-1054	1
HOSE-BRAKE (Ref # 43059)	43059-1308	1
HOSE-BRAKE (Ref # 43059A)	43059-1309	1
LEVER-GRIP,CLUTCH (Ref # 46092)	46092-1129	1
BOOT,DUST (Ref # 49006)	49006-1041	1
COVER-SEAL,MASTER CYL (Ref # 49016)	49016-1044	1
BOLT,MASTER CYLINDER (Ref # 92001)	92001-1727	2
BOLT,SOCKET,6X10 (Ref # 92002)	92002-1324	2
BOLT (Ref # 92002A)	92002-1325	1
BOLT,LEVER SET (Ref # 92002B)	92002-1561	1
BOLT (Ref # 92002C)	92002-1593	2
NUT,FLANGED,6MM (Ref # 92015)	92015-1528	1
WASHER-OIL BOLT (Ref # 92022)	43067-001	4
WASHER,PISTON (Ref # 92022A)	92022-1605	1
WASHER,PISTON (Ref # 92022B)	92022-1606	1
BUSHING,MASTER CYLIND (Ref # 92028)	92028-1310	1
CLAMP (Ref # 92037)	92037-1687	1
BAND (Ref # 92072)	92072-1190	1