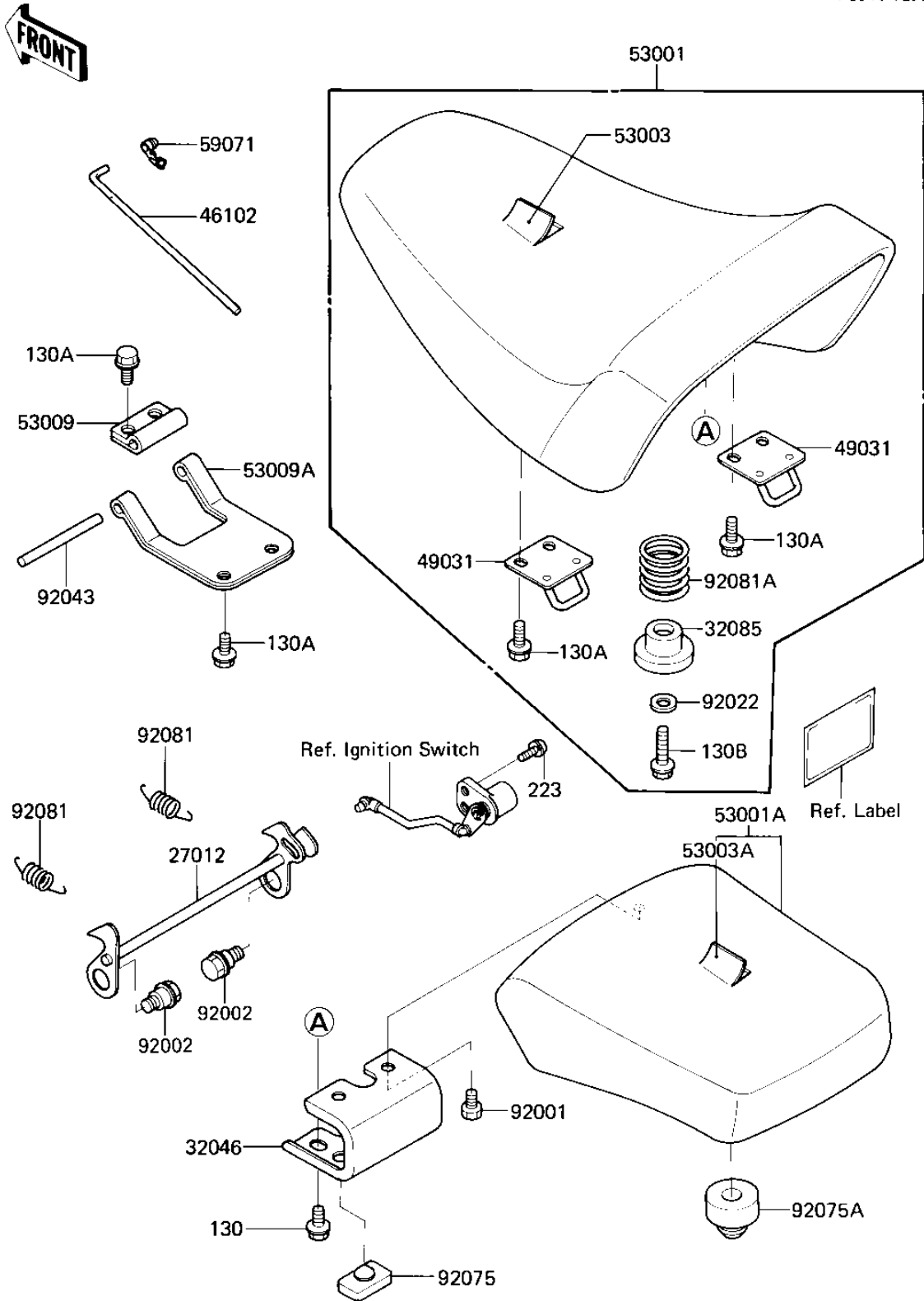


1985 Eliminator PARTS DIAGRAM

SEAT

F2510-0293



1985 Eliminator PARTS LIST

SEAT

ITEM NAME	PART NUMBER	QUANTITY
HOOK,SEAT LOCK (Ref # 27012)	27012-1332	1
BRACKET-SEAT (Ref # 32046)	32046-1236	1
STOPPER,SEAT (Ref # 32085)	32085-1167	1
ROD,SEAT STAND (Ref # 46102)	46102-1150	1
LATCH,SEAT (Ref # 49031)	49031-1051	2
SEAT-ASSY,FR (Ref # 53001)	53001-1426	1
SEAT-ASSY,RR (Ref # 53001A)	53001-1427	1
LEATHER,SEAT (Ref # 53003)	53003-1139	1
LEATHER,SEAT (Ref # 53003A)	53003-1140	1
HINGE,SEAT (Ref # 53009)	53009-1057	1
HINGE,SEAT (Ref # 53009A)	53009-1058	1
JOINT,SEAT STAND (Ref # 59071)	59071-1104	1
BOLT,HEX HEAD,6MM (Ref # 92001)	92001-137	2
BOLT,* (Ref # 92002)	92002-1596	2
WASHER,6.5X16X2 (Ref # 92022)	92022-1565	1
PIN,6X68 (Ref # 92043)	92043-1289	1
DAMPER,SEAT (Ref # 92075)	92075-1153	2
DAMPER,SEAT (Ref # 92075A)	92075-1737	2
SPRING,HOOK RETURN (Ref # 92081)	92081-1580	2
SPRING,SEAT (Ref # 92081A)	92081-1664	1
BOLT,FLANGED,6X10 (Ref # 130)	130B0610	2
BOLT (Ref # 130A)	130B0612	8
BOLT,FLANGED,6X25 (Ref # 130B)	130B0625	1
SCREW-PAN-WS-CROS (Ref # 223)	223B0510	2