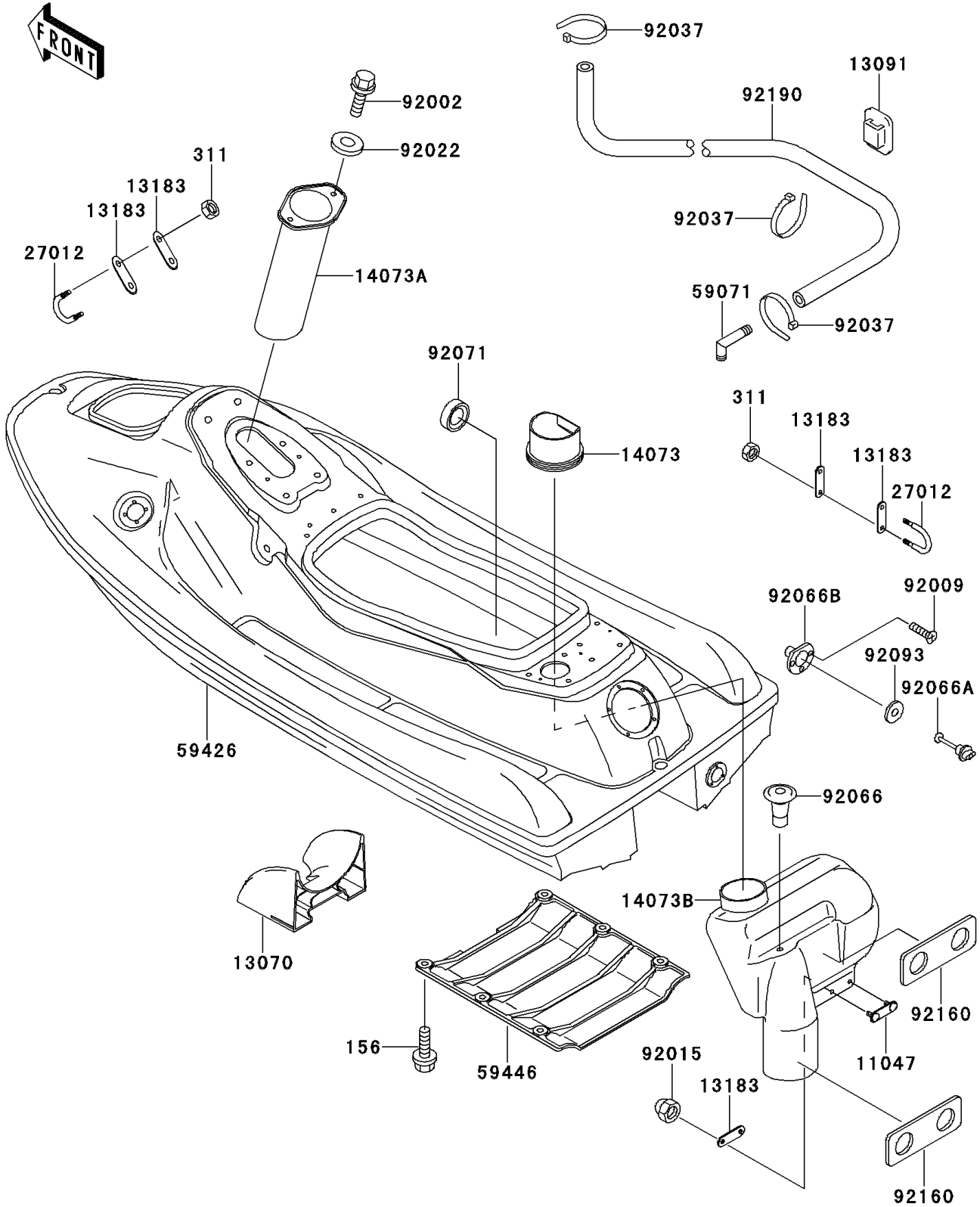


1997 SS PARTS DIAGRAM

Hull

F3141



1997 SS PARTS LIST

Hull

ITEM NAME	PART NUMBER	QUANTITY
BOLT-WP,6X20 (Ref # 156)	156R0620	6
NUT-HEX,6MM (Ref # 311)	311R0600	4
BRACKET,RR DUCT (Ref # 11047)	11047-3774	1
GUIDE,INTAKE (Ref # 13070)	13070-3718	1
HOLDER,BAND (Ref # 13091)	13091-3764	1
PLATE (Ref # 13183)	13183-3809	5
DUCT,INTAKE (Ref # 14073)	14073-3739	1
DUCT,FR (Ref # 14073A)	14073-3746	1
DUCT,RR,MAIN (Ref # 14073B)	14073-3747	1
HOOK (Ref # 27012)	27012-3761	2
JOINT (Ref # 59071)	59071-3733	1
COVER-JET PUMP (Ref # 59446)	59446-3720	1
BOLT,6X16 (Ref # 92002)	92002-3728	2
SCREW,TAPPING,4X14 (Ref # 92009)	92009-3755	3
NUT,CAP,6MM (Ref # 92015)	92015-3755	2
WASHER,6.5X20X1.5 (Ref # 92022)	92022-3710	2
CLAMP (Ref # 92037)	92037-1173	3
PLUG (Ref # 92066)	92066-3706	1
PLUG,RR,DRAIN (Ref # 92066A)	92066-3744	1
PLUG,RR,DRAIN (Ref # 92066B)	92066-3747	1
GROMMET (Ref # 92071)	92071-3783	1
SEAL (Ref # 92093)	92093-3720	1
DAMPER (Ref # 92160)	92160-3722	2
TUBE,5X10X1000 (Ref # 92190)	92190-3896	1
HULL-COMP,J.WHITE (Ref # 59426)	59426-3841-8C	1