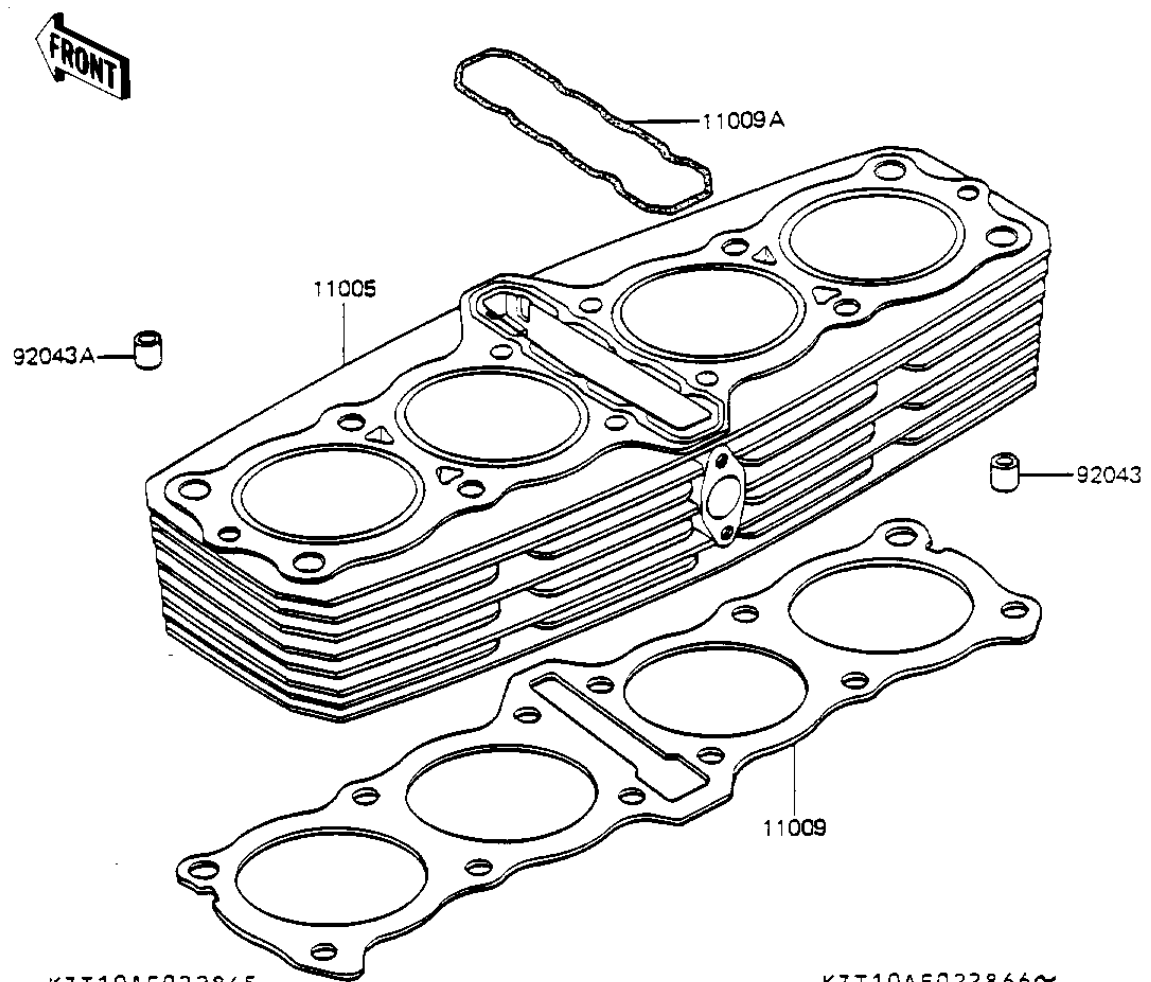


1985 LTD Shaft PARTS DIAGRAM

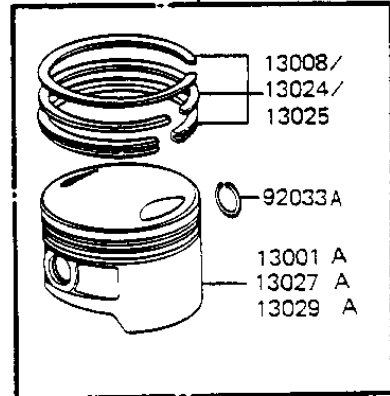
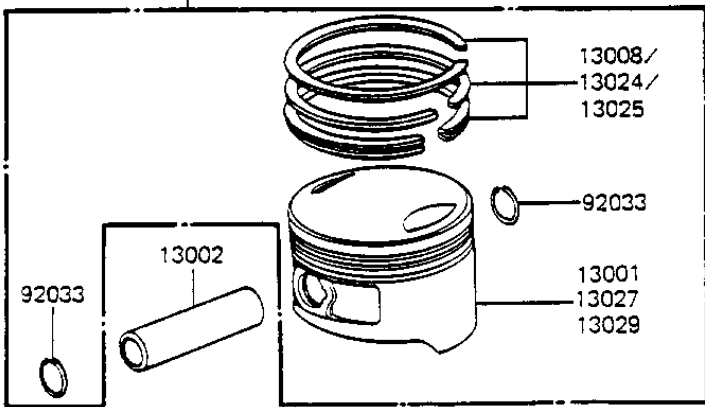
CYLINDER/PISTONS

E1120-0065



~ KZT10AE022865

KZT10AE022866~



13001B / 13027B / 13029B

1985 LTD Shaft PARTS LIST

CYLINDER/PISTONS

ITEM NAME	PART NUMBER	QUANTITY
CYLINDER-ENGINE (Ref # 11005)	11005-1372	1
GASKET,CYLINDER BASE (Ref # 11009)	11060-1067	1
GASKET,CYLINDER (Ref # 11009A)	11009-1208	1
PISTON-ENGINE,STD (Ref # 13001A)	13001-1181	4
PISTON-ENGINE,STD (Ref # 13001B)	13001-5011	4
PIN-PISTON,12X18X57.2 (Ref # 13002)	13002-1023	4
RING-SET-PISTON,STD (Ref # 13008)	13008-5055	4
RING-SET PISTON LL (Ref # 13024)	13024-5023	4
RING-SET PISTON L,O/S (Ref # 13025)	13025-5023	4
PISTON-ENGINE LL (Ref # 13027A)	13027-1125	4
PISTON-ENGINE-LL,O/S (Ref # 13027B)	13027-5001	4
PISTON-ENGINE L (Ref # 13029A)	13029-1124	4
PISTON-ENGINE-L,O/S (Ref # 13029B)	13029-5001	4
RING-SNAP (Ref # 92033A)	92033-1182	8
PIN,11X14X12.3 (Ref # 92043)	92043-1266	2
PIN,DOWEL,10X8.2X14 (Ref # 92043A)	92043-1037	2