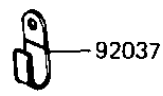
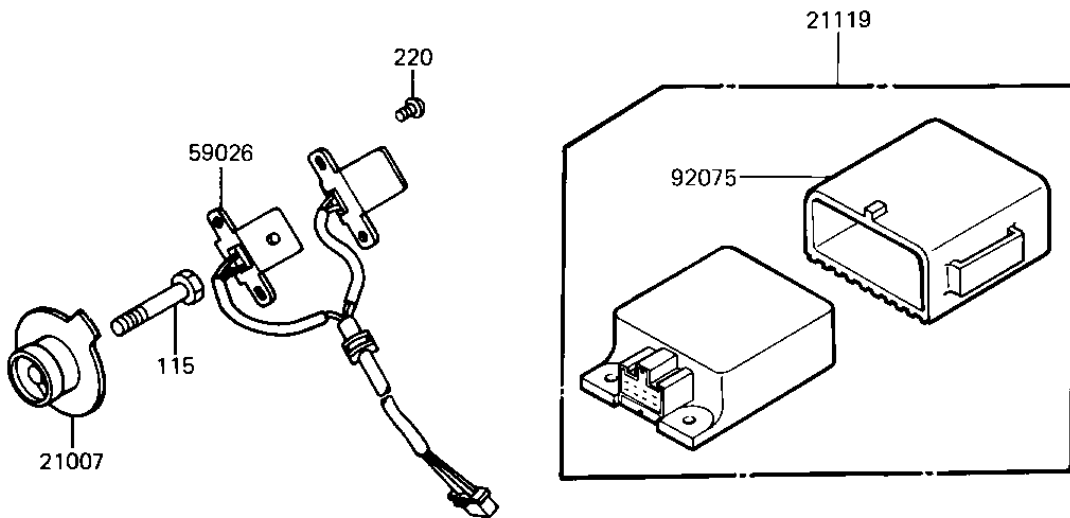
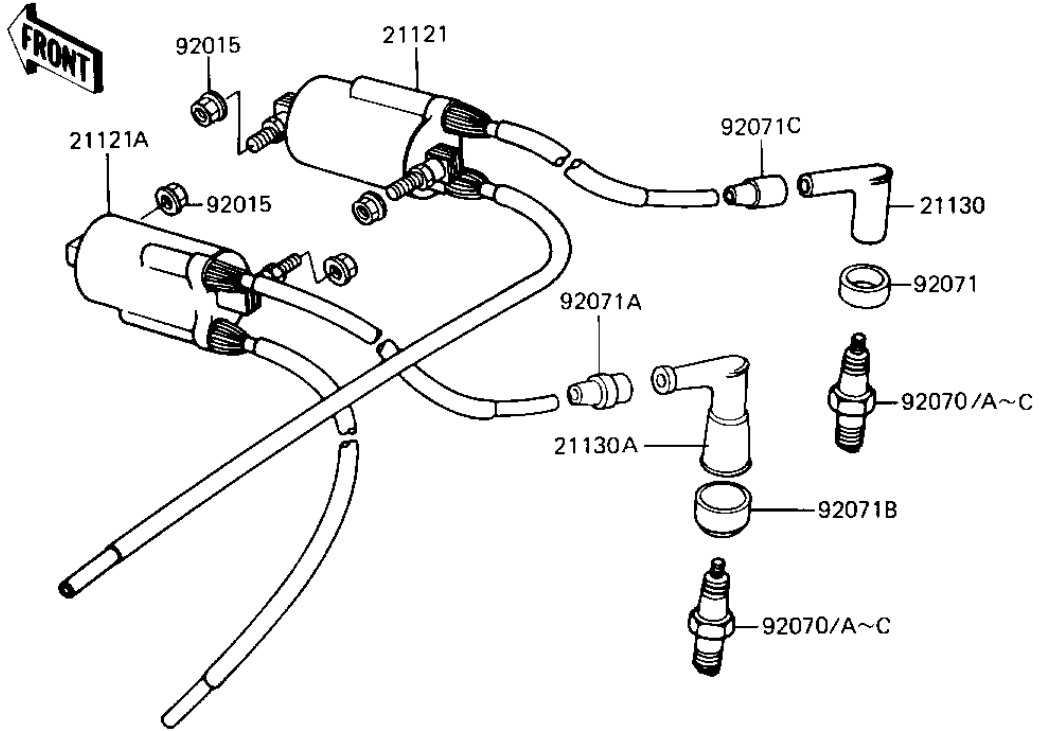


# 1984 LTD Shaft PARTS DIAGRAM

IGNITION

E1830-0204



# 1984 LTD Shaft PARTS LIST

## IGNITION

ITEM NAME	PART NUMBER	QUANTITY
ROTOR,PULSING COIL (Ref # 21007)	21007-1067	1
IGNITER (Ref # 21119)	21119-1104	1
COIL-IGNITION (Ref # 21121)	21121-1038	1
COIL-IGNITION (Ref # 21121A)	21121-1039	1
CAP-SPARK PLUG,RTFM20 (Ref # 21130)	21130-1007	2
CAP-SPARK PLUG (Ref # 21130A)	21130-1010	2
COIL-PULSING (Ref # 59026)	59026-1024	1
NUT-6MM (Ref # 92015)	92015-1078	4
CLAMP,WIRING HARNESS (Ref # 92037)	21126-008	5
SPARK PLUG B8ES (Ref # 92070)	B8ES	4
SPARK PLUG BR8ES (Ref # 92070B)	BR8ES	4
GROMMET-PLUG CAP,A (Ref # 92071)	21131-004	2
GROMMET,HIGH TENSION (Ref # 92071)	21131-005	2
GROMMET,PLUG CAP (Ref # 92071B)	21131-006	2
GROMMET,SPARK PLG CAP (Ref # 92071C)	21132-005	2
DAMPER,IGNITER (Ref # 92075)	92075-1504	1
BOLT-SMALL-UPSET (Ref # 115)	115G0845	1
SCREW PAN HEAD 5X12 (Ref # 220)	220B0512	4