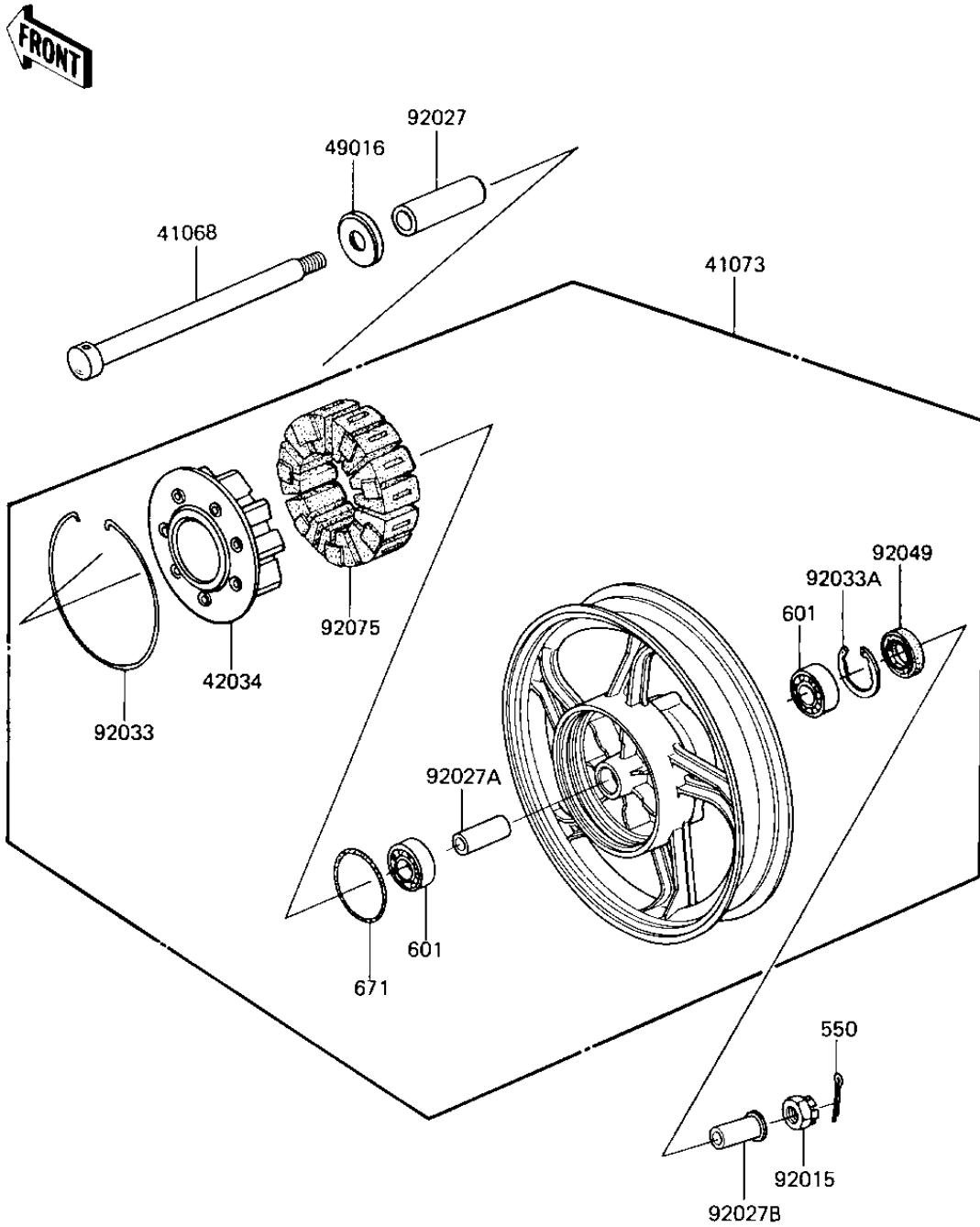


# 1984 LTD Shaft PARTS DIAGRAM

REAR WHEEL/HUB

F2240-0159



# 1984 LTD Shaft PARTS LIST

## REAR WHEEL/HUB

ITEM NAME	PART NUMBER	QUANTITY
AXLE,RR,L=294 (Ref # 41068)	41068-1171	1
WHEEL-ASSY,RR,M.GRAY (Ref # 41073)	41073-1224-J9	1
COUPLING,REAR HUB (Ref # 42034)	42034-1011	1
COVER (Ref # 49016)	49016-1019	1
NUT CASTLE,18MM (Ref # 92015)	42045-018	1
COLLAR (Ref # 92027)	92027-1126	1
COLLAR,20.2X28X70 (Ref # 92027A)	92027-1752	1
COLLAR,RR AXLE,L=20 (Ref # 92027B)	92027-1792	1
RING,SNAP (Ref # 92033)	92033-1019	1
RING,SNAP,56.2M/M (Ref # 92033A)	92033-1043	1
SEAL-OIL (Ref # 92049)	92049-1061	1
DAMPER,REAR HUB,SHOCK (Ref # 92075)	92075-1121	1
PIN-COTTER,4.0X35 (Ref # 550)	550D4035	1
UNAVAILABLE IN PRICE BOOK (Ref # 601)	601B630422	2
"O" RING,80MM (Ref # 671)	671B2580	1