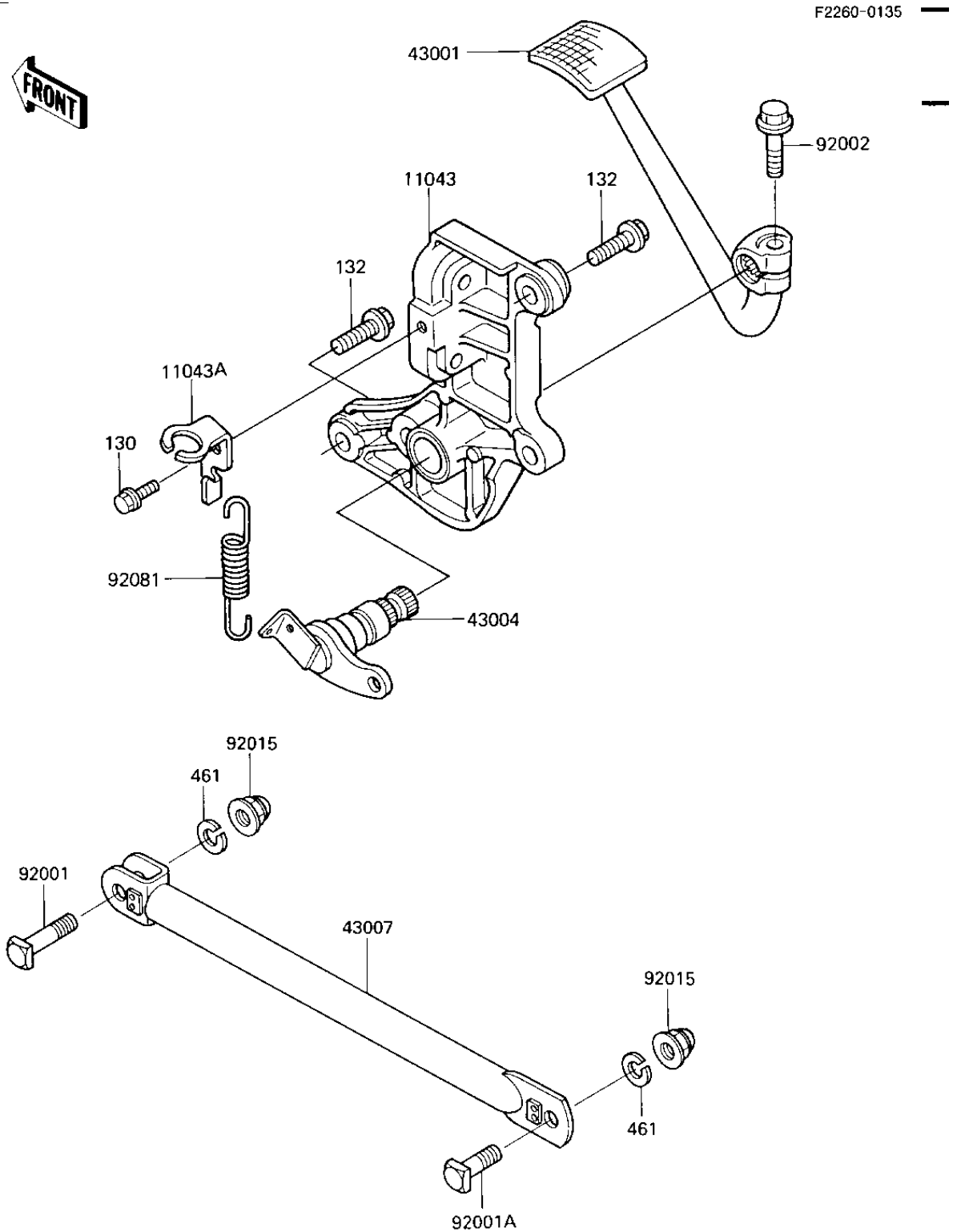


1984 LTD Shaft PARTS DIAGRAM

BRAKE PEDAL/TORQUE LINK



1984 LTD Shaft PARTS LIST

BRAKE PEDAL/TORQUE LINK

ITEM NAME	PART NUMBER	QUANTITY
BRACKET,BRAKE PEDAL S (Ref # 11043)	11043-1548	1
BRACKET,BRAKE SWITCH (Ref # 11043A)	11043-1549	1
LEVER-BRAKE,PEDAL (Ref # 43001)	43001-1161	1
SHAFT-BRAKE (Ref # 43004)	43004-1102	1
ROD-TORQUE (Ref # 43007)	43007-1104	1
BOLT,10X37 (Ref # 92001)	92001-1646	1
BOLT,10X27 (Ref # 92001A)	92001-1891	1
NUT,LOCK,10MM,BLACK (Ref # 92015)	92015-1189	2
SPRING (Ref # 92081)	92081-1296	1
BOLT-FLANGED,6X10,BLA (Ref # 130)	130C0610	1
BOLT-FLANGED-SMALL (Ref # 132)	132J0825	2
WASHER-SPRING,10MM (Ref # 461)	461K1000	2