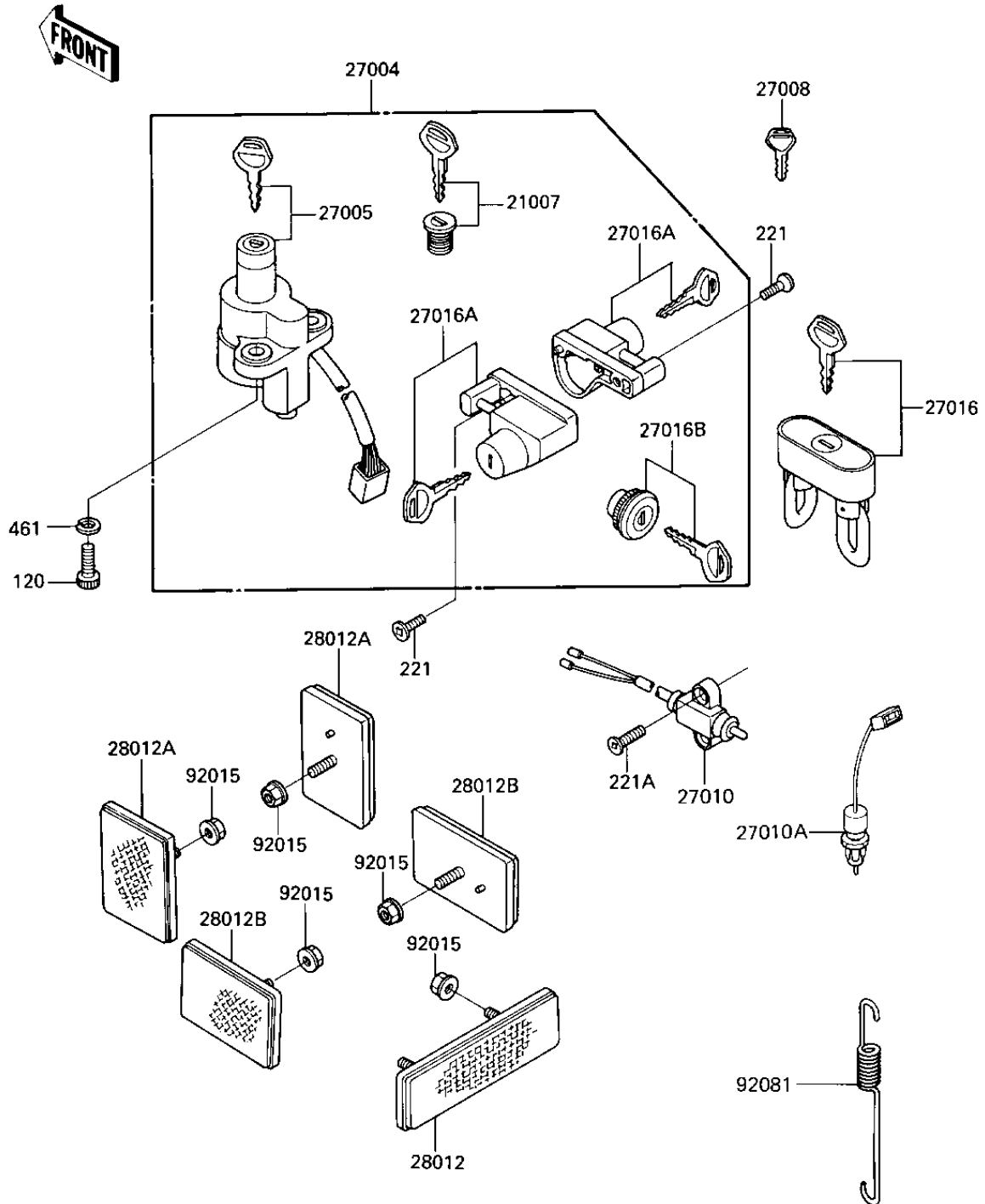


1984 LTD Shaft PARTS DIAGRAM

IGNITION SWITCH/LOCKS/REFLECTORS

F2770-0249



1984 LTD Shaft PARTS LIST

IGNITION SWITCH/LOCKS/REFLECTORS

ITEM NAME	PART NUMBER	QUANTITY
ROTOR,FUEL TANK (Ref # 21007)	21007-5005	1
SWITCH-ASSY (Ref # 27004)	27004-5243	1
SWITCH-ASSY-IGNITION (Ref # 27005)	27005-5040	1
KEY-LOCK,BLANK (Ref # 27008)	27008-1103	1
SWITCH,BRAKE LAMP (Ref # 27010)	27010-1152	1
SWITCH,SIDE STAND (Ref # 27010A)	27010-1164	1
LOCK-ASSY (Ref # 27016)	27016-1051	1
LOCK-ASSY,HELMET (Ref # 27016A)	27016-5060	2
LOCK-ASSY,DRIVE COMPU (Ref # 27016B)	27016-5081	1
REFLECTOR,REAR REFLEX (Ref # 28012)	28012-1005	1
REFLECTOR-REFLEX (Ref # 28012A)	28012-1009	2
REFLECTOR-REFLEX,RR (Ref # 28012B)	28012-1051	2
NUT,FLANGED,5MM (Ref # 92015)	92015-1259	6
SPRING,BRAKE LAMP SW (Ref # 92081)	92081-1146	1
BOLT,SOCKET,8X22 (Ref # 120)	120P0822	2
SCREW-CSK-CROS (Ref # 221)	221C0512	2
SCREW-CSK-CROS (Ref # 221A)	221C0520	2
WASHER SPRING 8MM (Ref # 461)	461F0800	2