

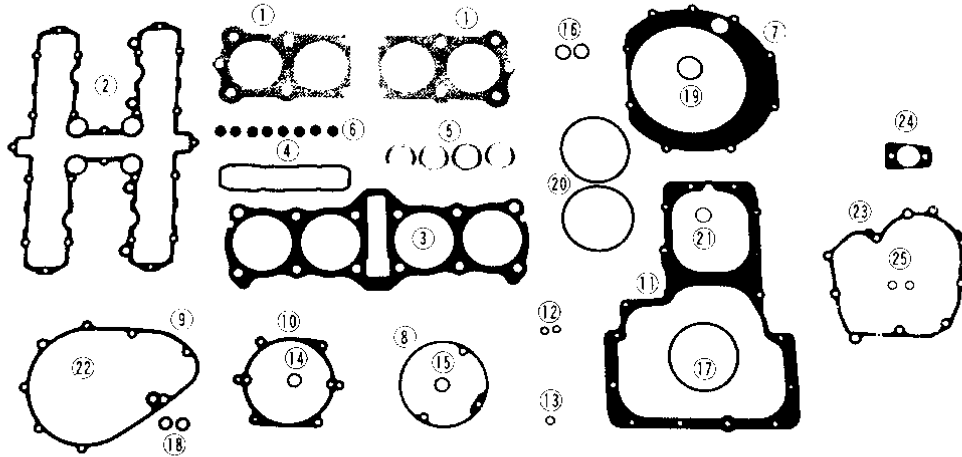
1984 LTD Shaft PARTS DIAGRAM

GASKET KIT

Gasket kit

ZX1100-A 1983 & UP

ZN1100-B 1984 & UP



| IDENT. NO. | DESCRIPTION | PART NO. | 11028-1084 Top End Kit (A) (QTY.) | 11028-1088 Bottom End Kit (B) (QTY.) |
|--------------|---|------------|---|--|
| 1 | Gasket-Head, Cylinder | 11004-1119 | 2 | |
| 2 | Gasket, Cylinder Head Cover | 11009-1205 | 1 | |
| 3 | Gasket, Cylinder Base | 11009-1207 | 1 | |
| 4 | Gasket, Cylinder | 11009-1208 | 1 | |
| 5 | Gasket, Exhaust Pipe Holder | 18067-018 | 4 | |
| 6 | Seal-Oil, RV37129.5, Valve Stem | 92049-016 | 8 | |
| 7 | Gasket, Clutch Cover | 11009-1210 | | 1 |
| 8 | Gasket, Pulsing Coil Cover | 11009-1220 | | 1 |
| 9 | Gasket, Generator Cover | 14045-014 | | 1 |
| 10 | Gasket, RH Engine Cover | 14046-023 | | 1 |
| 11 | Gasket, Oil Pan | 16112-002 | | 1 |
| 12 | O Ring, 8mm, Breather Bolt/Race Bushing | 670B1508 | | 2 |
| 13 | O Ring, 9mm, Oil Pressure Switch Fitting | 670B1509 | | 1 |
| 14 | O Ring, 15mm, Main Gallery Plug | 670B2015 | | 1 |
| 15 | O Ring, 16mm, Oil Filter Center Bolt | 670B2016 | | 1 |
| 16 | O Ring, 18mm, Oil Pressure Fitting | 670B2018 | | 2 |
| 17 | O Ring, 90mm, Oil Filter Cover | 671B2590 | | 1 |
| 18 | Ring-O, 12x3.0, Crankcase Center/Oil Pump | 92055-048 | | 2 |
| 19 | Ring-O, 31.5 x 2.6, Oil Filler Cap | 92055-049 | | 1 |
| 20 | Ring-O, 91.6 x 3.4, Breather Body/Oil Pan | 92055-052 | | 2 |
| 21 | Ring-O, 19.5 x 1.5, Oil Pressure Switch (ZN1100-B) | 92055-055 | | 1 |
| 22 | Gasket, Drain Plug | 92065-097 | | 1 |
| * 23 | Gasket, Transmission Cover (ZX1100-A) | 11009-1163 | | 1 |
| 24 | Gasket, Clutch Adjusting Cover (ZX1100-A) | 11009-1211 | | 1 |
| 25 | Ring-O, 8.8mm, Change Pedal Pivot (ZX1100-A) | 92055-099 | | 2 |
| Kit includes | | | 6 items: 17 pcs. | 19 items: 24 pcs. |

*NOTE: This gasket kit does not included front bevel gear case gasket. USE 11009-1112 for shaft drive vehicles.

1984 LTD Shaft PARTS LIST

GASKET KIT

| ITEM NAME | PART NUMBER | QUANTITY |
|----------------------------------|-------------|----------|
| GASKET-HEAD (Ref # 1) | 11004-1119 | 2 |
| GASKET,CYLINDER HEAD (Ref # 2) | 11009-1205 | 1 |
| GASKET,CYLINDER BASE (Ref # 3) | 11060-1067 | 1 |
| GASKET,CYLINDER (Ref # 4) | 11009-1208 | 1 |
| GASKET,EXHAUST PIPE H (Ref # 5) | 11009-1906 | 4 |
| OIL SEAL,RV37129.5 (Ref # 6) | 92049-016 | 8 |
| GASKET,CLUTCH COVER (Ref # 7) | 11060-1070 | 1 |
| GASKET,PULSING COIL C (Ref # 8) | 11060-1072 | 1 |
| GASKET,GENERATOR COVE (Ref # 9) | 11060-1075 | 1 |
| GASKET,RH ENGINE COVE (Ref # 10) | 11060-1071 | 1 |
| GASKET,OIL PAN (Ref # 11) | 11060-1074 | 1 |
| "O" RING,8MM (Ref # 12) | 670B1508 | 2 |
| "O" RING,9MM (Ref # 13) | 670B1509 | 1 |
| "O" RING,15MM (Ref # 14) | 670B2015 | 1 |
| "O" RING,16MM (Ref # 15) | 670B2016 | 1 |
| "O" RING,18MM (Ref # 16) | 670B2018 | 2 |
| "O" RING,90MM (Ref # 17) | 671B2590 | 1 |
| O RING,0.D=18MM (Ref # 18) | 92055-048 | 2 |
| "O" RING,31MM (Ref # 19) | 92055-049 | 1 |
| "O" RING,91MM (Ref # 20) | 92055-052 | 2 |
| "O" RING (Ref # 21) | 92055-055 | 1 |
| GASKET,DRIN PLUG (Ref # 22) | 92065-097 | 1 |
| GASKET,TRANSMISSION C (Ref # 23) | 11060-1069 | 1 |
| GASKET,CLUTCH ADJUSTI (Ref # 24) | 11060-1073 | 1 |
| "O" RING,8.8MM (Ref # 25) | 92055-099 | 2 |