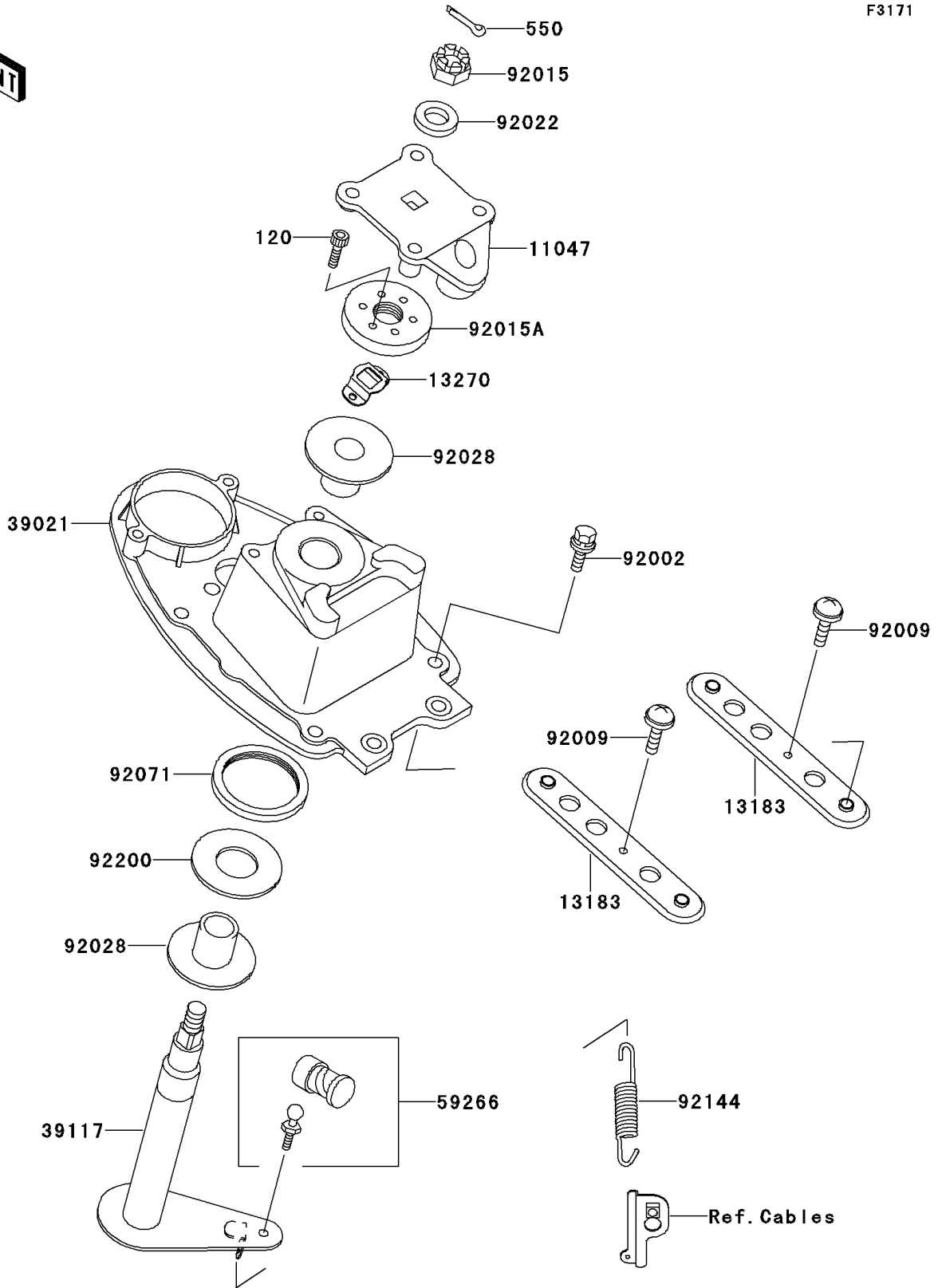


# 1997 SS PARTS DIAGRAM

Handle Pole

F3171



# 1997 SS PARTS LIST

## Handle Pole

ITEM NAME	PART NUMBER	QUANTITY
BOLT-SOCKET,5X10 (Ref # 120)	120R0510	2
PIN-COTTER,3X35 (Ref # 550)	550S3035	1
BRACKET,HANDLE HOLDER (Ref # 11047)	11047-3759	1
PLATE,HANDLE POLE BRACKET (Ref # 13183)	13183-3806	2
PLATE (Ref # 13270)	13270-3780	1
BRACKET-HANDLE POLE (Ref # 39021)	39021-3704	1
SHAFT-STRG (Ref # 39117)	39117-3706	1
JOINT-BALL (Ref # 59266)	59266-3707	1
BOLT,8X25 (Ref # 92002)	92002-3774	4
SCREW,5X16 (Ref # 92009)	92009-3789	2
NUT,CASTLE,14MM (Ref # 92015)	92015-3805	1
NUT (Ref # 92015A)	92015-3852	1
WASHER,15X34X2.0 (Ref # 92022)	92022-3738	1
BUSHING,STEERING (Ref # 92028)	92028-3748	2
GROMMET (Ref # 92071)	92071-3792	1
SPRING (Ref # 92144)	92144-3737	1
WASHER,32.5X70X2 (Ref # 92200)	92200-3718	1