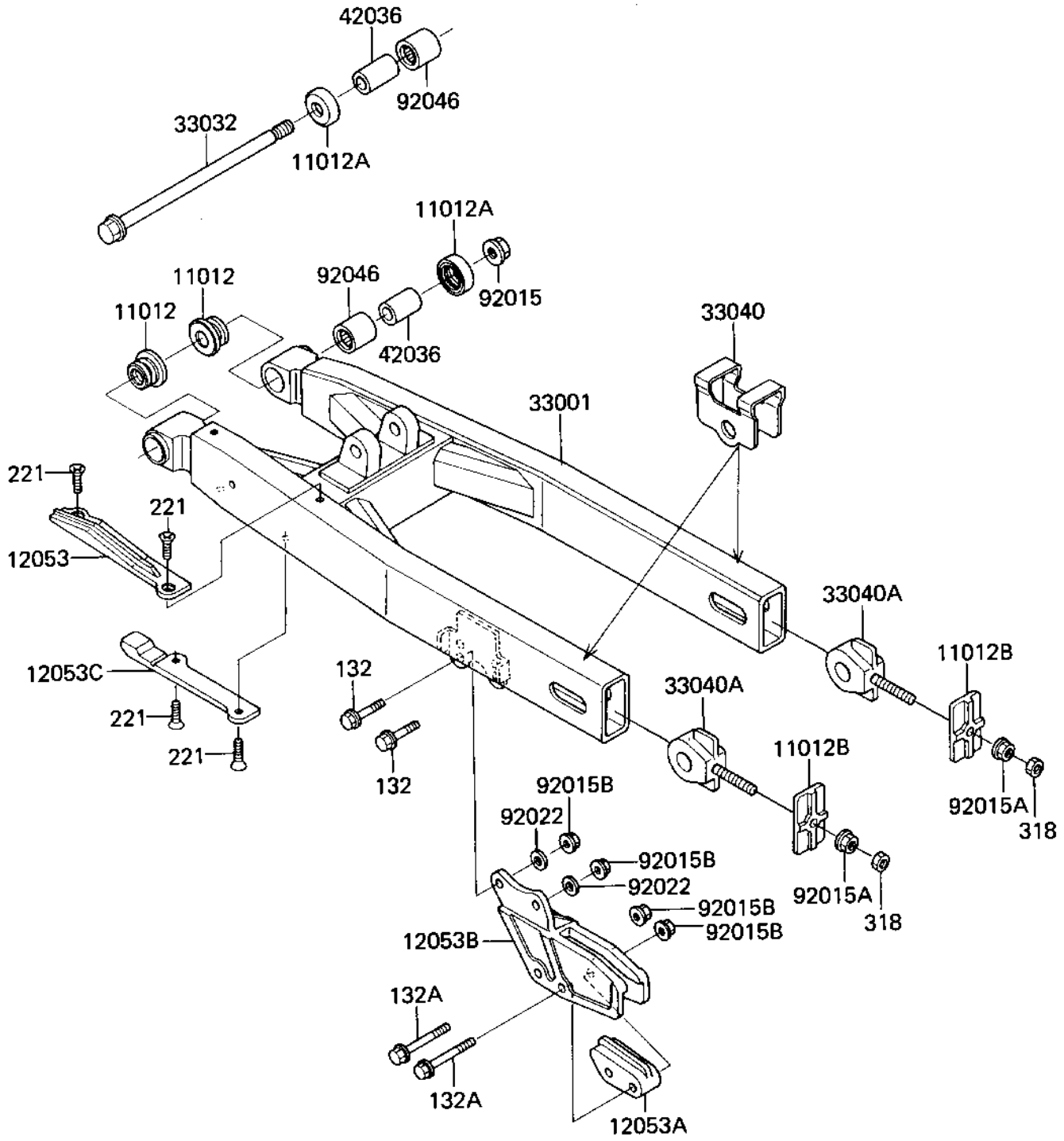


1985 KX125 PARTS DIAGRAM

SWING ARM



1985 KX125 PARTS LIST

SWING ARM

ITEM NAME	PART NUMBER	QUANTITY
CAP,SWING ARM (Ref # 11012)	11012-1355	2
CAP,SWING ARM (Ref # 11012A)	11012-1417	2
CAP,CHAIN ADJUSTER (Ref # 11012B)	11012-1431	2
GUIDE-CHAIN,FR,UPP (Ref # 12053)	12053-1101	1
GUIDE-CHAIN,RR,INSIDE (Ref # 12053A)	12053-1105	1
GUIDE-CHAIN,RR (Ref # 12053B)	12053-1136	1
GUIDE-CHAIN (Ref # 12053C)	12053-1144	1
ARM-COMP-SWING (Ref # 33001)	33001-1230	1
SHAFT-SWING ARM (Ref # 33032)	33032-1112	1
ADJUSTER-CHAIN,OUTSID (Ref # 33040)	33040-1058	2
ADJUSTER-CHAIN,INSIDE (Ref # 33040A)	33040-1059	2
SLEEVE,SWING ARM,L=40 (Ref # 42036)	42036-1145	2
NUT,14MM (Ref # 92015)	92015-1407	1
NUT-8MM (Ref # 92015A)	92015-1143	2
NUT-6MM (Ref # 92015B)	92015-1078	4
WASHER 6.5X20X1.6T (Ref # 92022)	92022-125	2
BEARING-NEEDLE,TA2030 (Ref # 92046)	92046-1128	2
BOLT-FLANGED-SMALL (Ref # 132)	132G0625	2
BOLT-FLANGED-SMALL (Ref # 132A)	132G0645	2
SCREW CNTSNK HD 6X10 (Ref # 221)	221B0610	4
NUT 8MM (Ref # 318)	318G0800	2