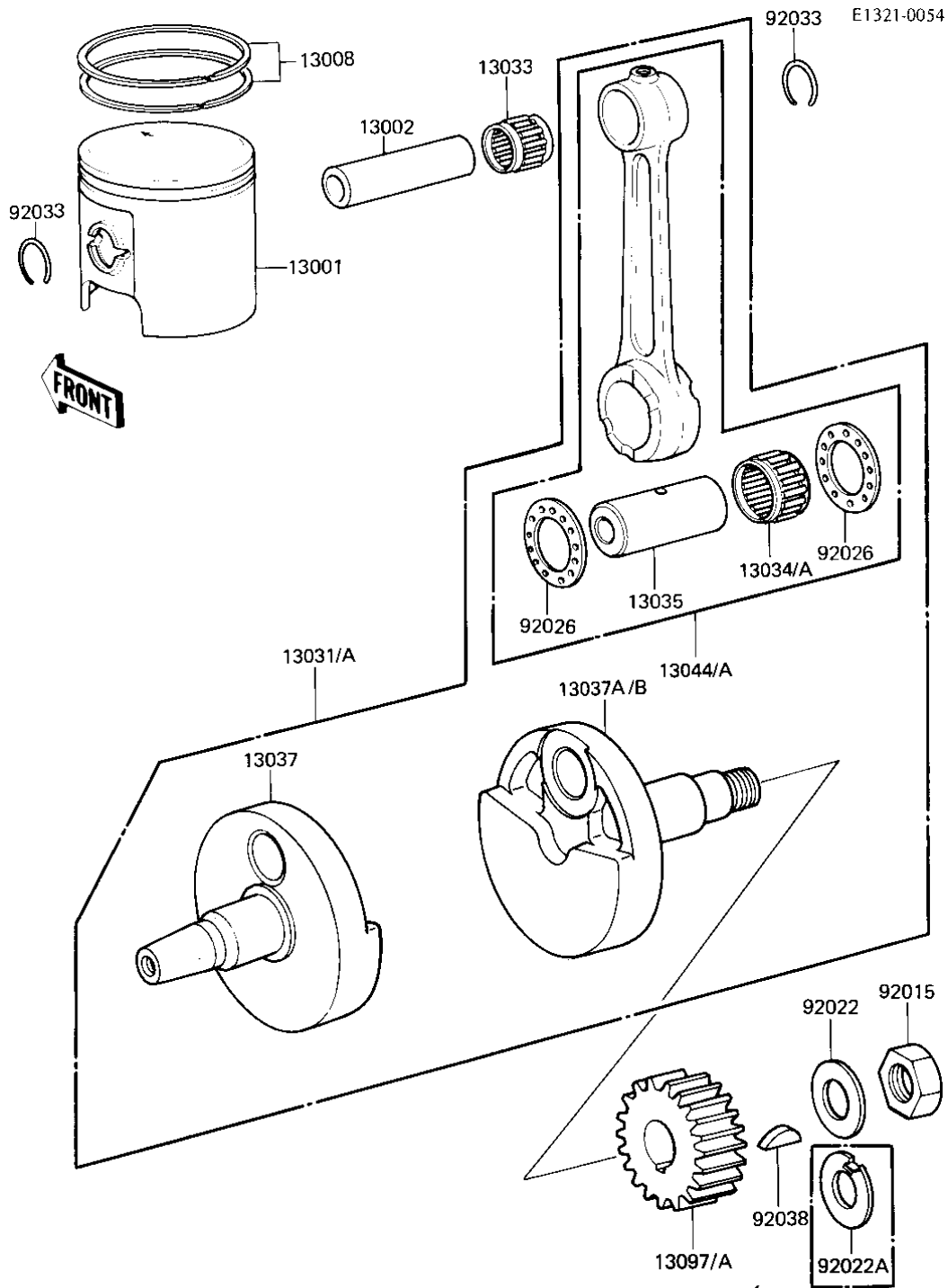


1984 KDX200 PARTS DIAGRAM

CRANKSHAFT/PISTON



1984 KDX200 PARTS LIST

CRANKSHAFT/PISTON

| ITEM NAME | PART NUMBER | QUANTITY |
|-------------------------------------|-------------|----------|
| PISTON-ENGINE (Ref # 13001) | 13001-1160 | 1 |
| PIN-PISTON (Ref # 13002) | 13002-1004 | 1 |
| RING-SET-PISTON (Ref # 13008) | 13008-5057 | 1 |
| CRANKSHAFT-COMP (Ref # 13031A) | 13031-1151 | 1 |
| BEARING-SMALL END (Ref # 13033) | 13033-1007 | 1 |
| BEARING-BIG END (Ref # 13034A) | 13034-1079 | 1 |
| PIN,CRANK (Ref # 13035) | 13035-1001 | 1 |
| CRANKSHAFT,LH (Ref # 13037) | 13037-1161 | 1 |
| CRANKSHAFT,RH (Ref # 13037B) | 13037-1201 | 1 |
| SET-CONNECTING ROD (Ref # 13044A) | 13044-5035 | 1 |
| GEAR-PRIMARY SPUR,22T (Ref # 13097) | 13097-1145 | 1 |
| NUT,16MM (Ref # 92015) | 92015-1176 | 1 |
| WASHER,16.8X32X1.6 (Ref # 92022) | 92022-1277 | 1 |
| WASHER SIDE (Ref # 92026) | 92026-011 | 2 |
| CIRCLIP PISTON PIN (Ref # 92033) | 92036-004 | 2 |
| WOODRUFF KEY PRY PINI (Ref # 92038) | 92038-003 | 1 |