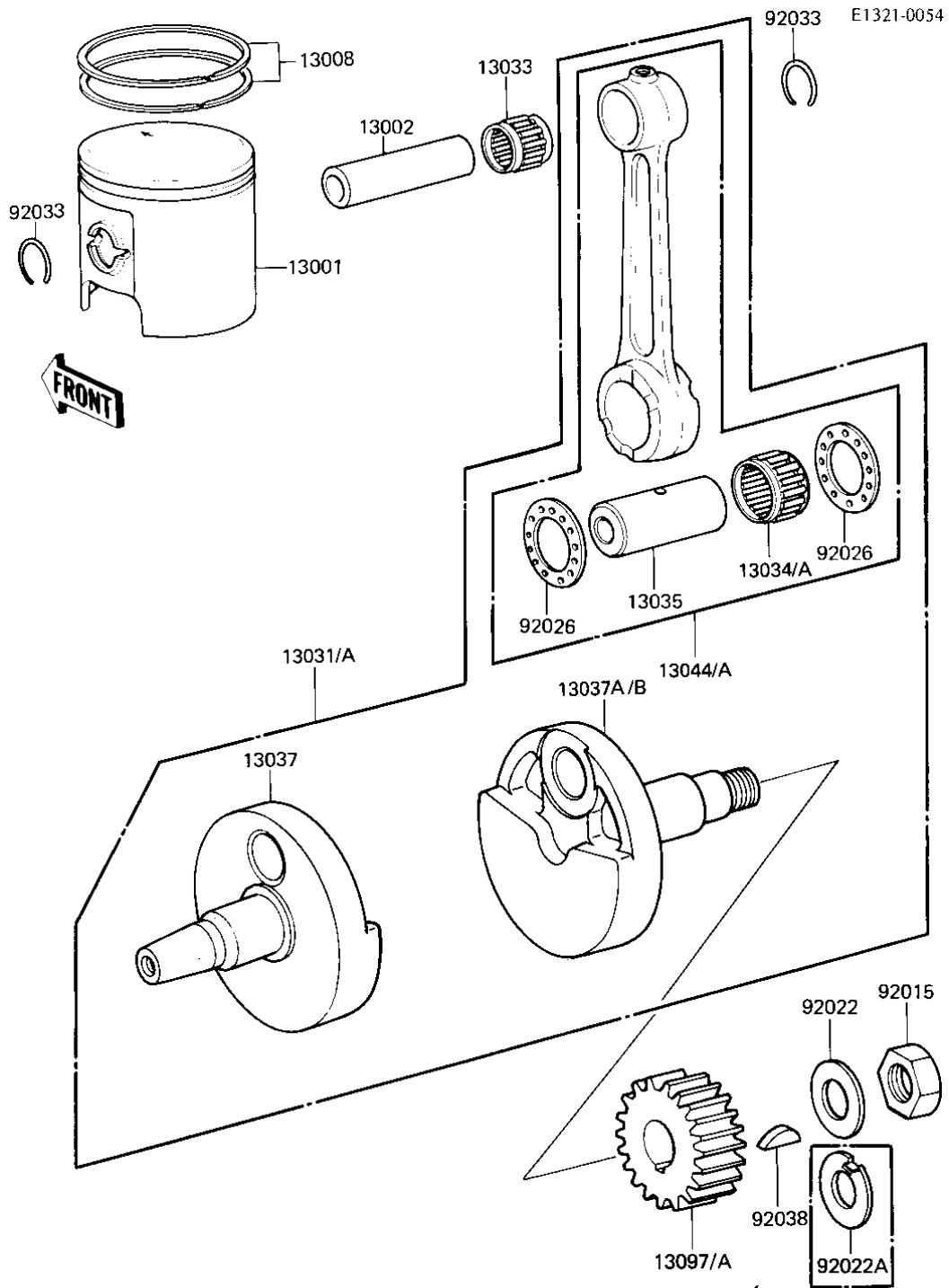


1985 KDX200 PARTS DIAGRAM

CRANKSHAFT/PISTON



1985 KDX200 PARTS LIST

CRANKSHAFT/PISTON

ITEM NAME	PART NUMBER	QUANTITY
PISTON-ENGINE (Ref # 13001)	13001-1160	1
PIN-PISTON (Ref # 13002)	13002-1004	1
RING-SET-PISTON (Ref # 13008)	13008-5057	1
CRANKSHAFT-COMP (Ref # 13031A)	13031-1151	1
BEARING-SMALL END (Ref # 13033)	13033-1007	1
BEARING-BIG END (Ref # 13034A)	13034-1079	1
PIN,CRANK (Ref # 13035)	13035-1001	1
CRANKSHAFT,LH (Ref # 13037)	13037-1161	1
CRANKSHAFT,RH (Ref # 13037B)	13037-1201	1
SET-CONNECTING ROD (Ref # 13044A)	13044-5035	1
GEAR-PRIMARY SPUR,22T (Ref # 13097A)	13097-1145	1
NUT,16MM (Ref # 92015)	92015-1176	1
WASHER (Ref # 92022A)	92022-1695	1
WASHER SIDE (Ref # 92026)	92026-011	2
CIRCLIP PISTON PIN (Ref # 92033)	92036-004	2
WOODRUFF KEY PRY PINI (Ref # 92038)	92038-003	1