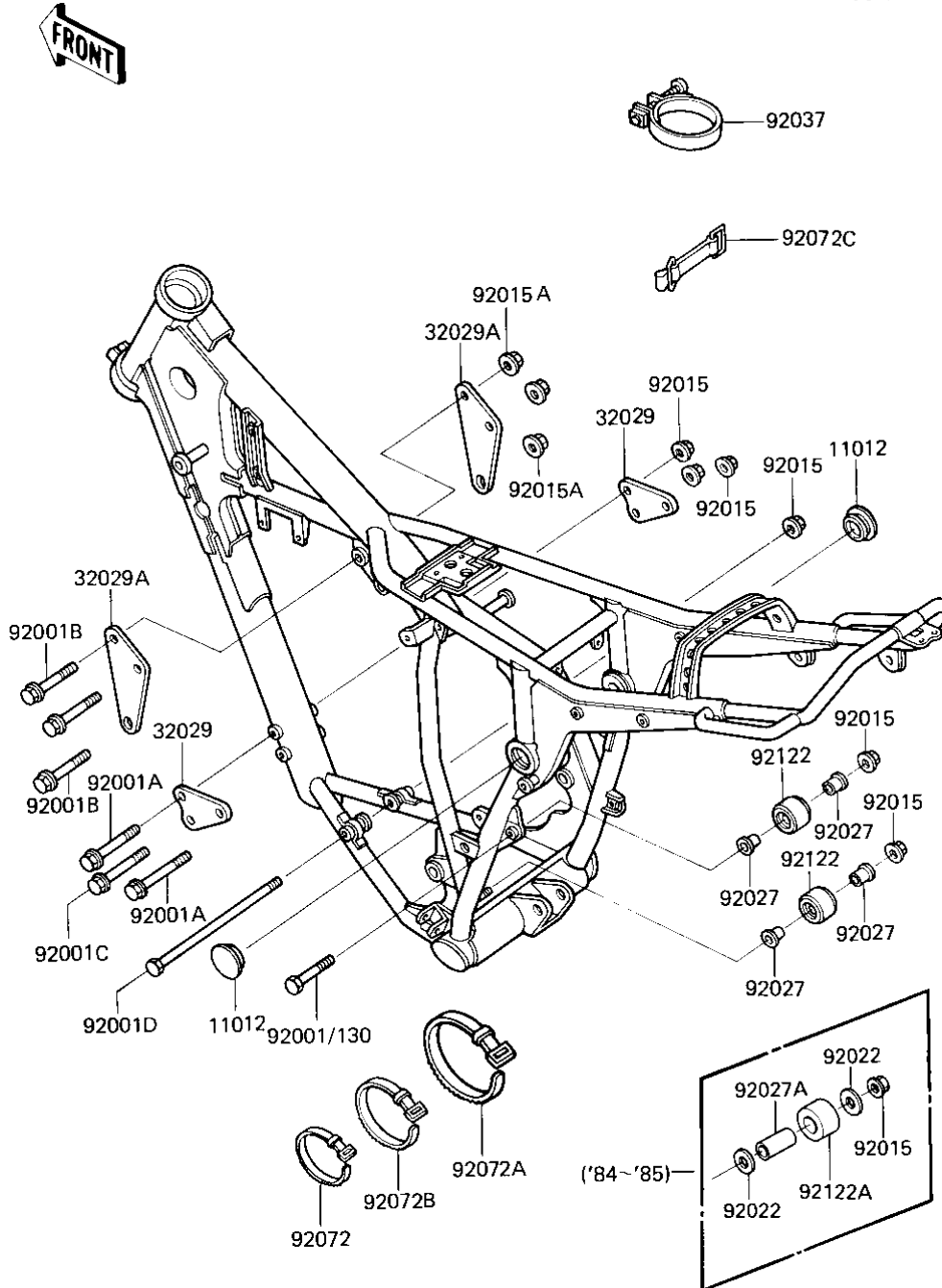


1984 KDX200 PARTS DIAGRAM

FRAME FITTINGS

F2131-0175



1984 KDX200 PARTS LIST

FRAME FITTINGS

ITEM NAME	PART NUMBER	QUANTITY
CAP,UNI TRAK (Ref # 11012)	11012-1211	2
BRACKET-ENGINE (Ref # 32029)	32029-1173	2
BRACKET-ENGINE (Ref # 32029A)	32029-1231	2
BOLT FLANGED,8X70 (Ref # 92001A)	92001-1583	2
BOLT,10X50 (Ref # 92001B)	92001-1584	3
BOLT,FLANGED,8X75 (Ref # 92001C)	92002-1481	1
BOLT,8X180 (Ref # 92001D)	92001-1756	1
NUT-8MM (Ref # 92015)	92015-1143	6
NUT,10MM (Ref # 92015A)	92015-1415	3
92022-101 (Canada) (Ref # 92022)	92022-092	4
COLLAR,CHAIN ROLLER (Ref # 92027A)	92027-1670	2
CLAMP (Ref # 92037)	92037-1172	1
BAND,SHORT (Ref # 92072)	92072-030	5
BAND,LONG (Ref # 92072A)	92072-032	1
BAND,WIRING HARNESS (Ref # 92072B)	92072-056	3
BAND,RESERVE TANK (Ref # 92072C)	92072-1085	1
ROLLER,CHAIN GUIDE (Ref # 92122A)	92122-1104	2
BOLT,FLANGED,8X50 (Ref # 130)	130G0850	1