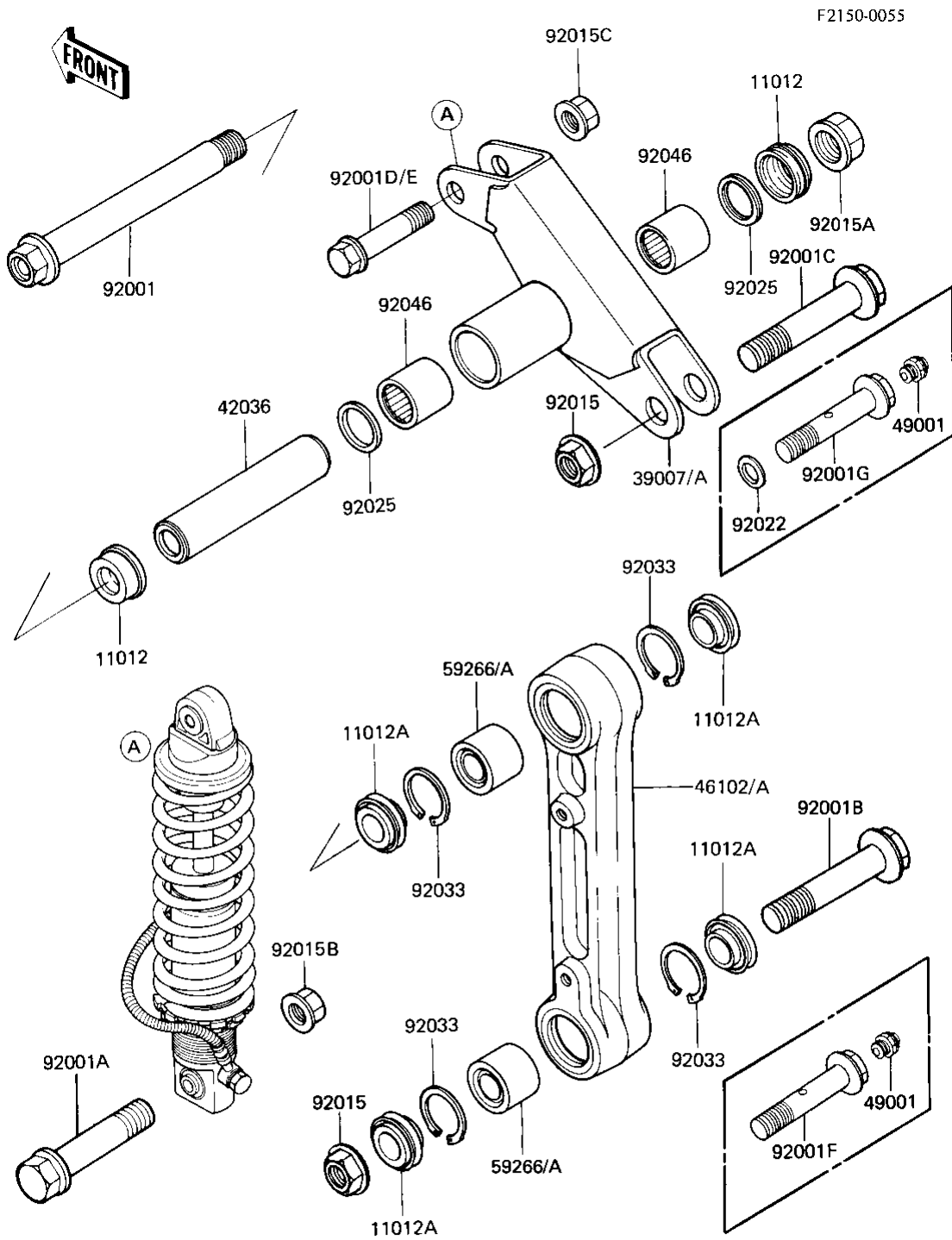


1983 KDX200 PARTS DIAGRAM

REAR SUSPENSION



1983 KDX200 PARTS LIST

REAR SUSPENSION

ITEM NAME	PART NUMBER	QUANTITY
CAP (Ref # 11012)	11012-1203	2
CAP,ROD (Ref # 11012A)	11012-1258	4
ARM-SUSP,UNI-TRAK (Ref # 39007)	39007-1017	1
ARM-SUSP,UNI TRAK (Ref # 39007A)	39007-1067	1
SLEEVE,UNI TRAK (Ref # 42036)	42036-1054	1
ROD,UNI TRAK (Ref # 46102)	46102-1057	1
JOINT-BALL,SB142820E0 (Ref # 59266)	59266-1052	2
BOLT,16X156 (Ref # 92001)	92001-1495	1
BOLT,12X55 (Ref # 92001A)	92001-1497	1
BOLT,FLANGED,14X82 (Ref # 92001B)	92001-1686	1
BOLT,FLANGED,14X57 (Ref # 92001C)	92001-1688	1
BOLT,FLANGED,10X50 (Ref # 92001D)	92001-1692	1
NUT,14MM (Ref # 92015)	92015-1407	2
NUT,16MM (Ref # 92015A)	92015-1046	1
NUT-12MM (Ref # 92015B)	92015-1156	1
NUT,10MM (Ref # 92015C)	92015-1415	1
SHIM (Ref # 92025)	92025-1229	2
RING,SNAP (Ref # 92033)	92033-1064	4
BEARING-NEEDLE (Ref # 92046)	92046-1041	2