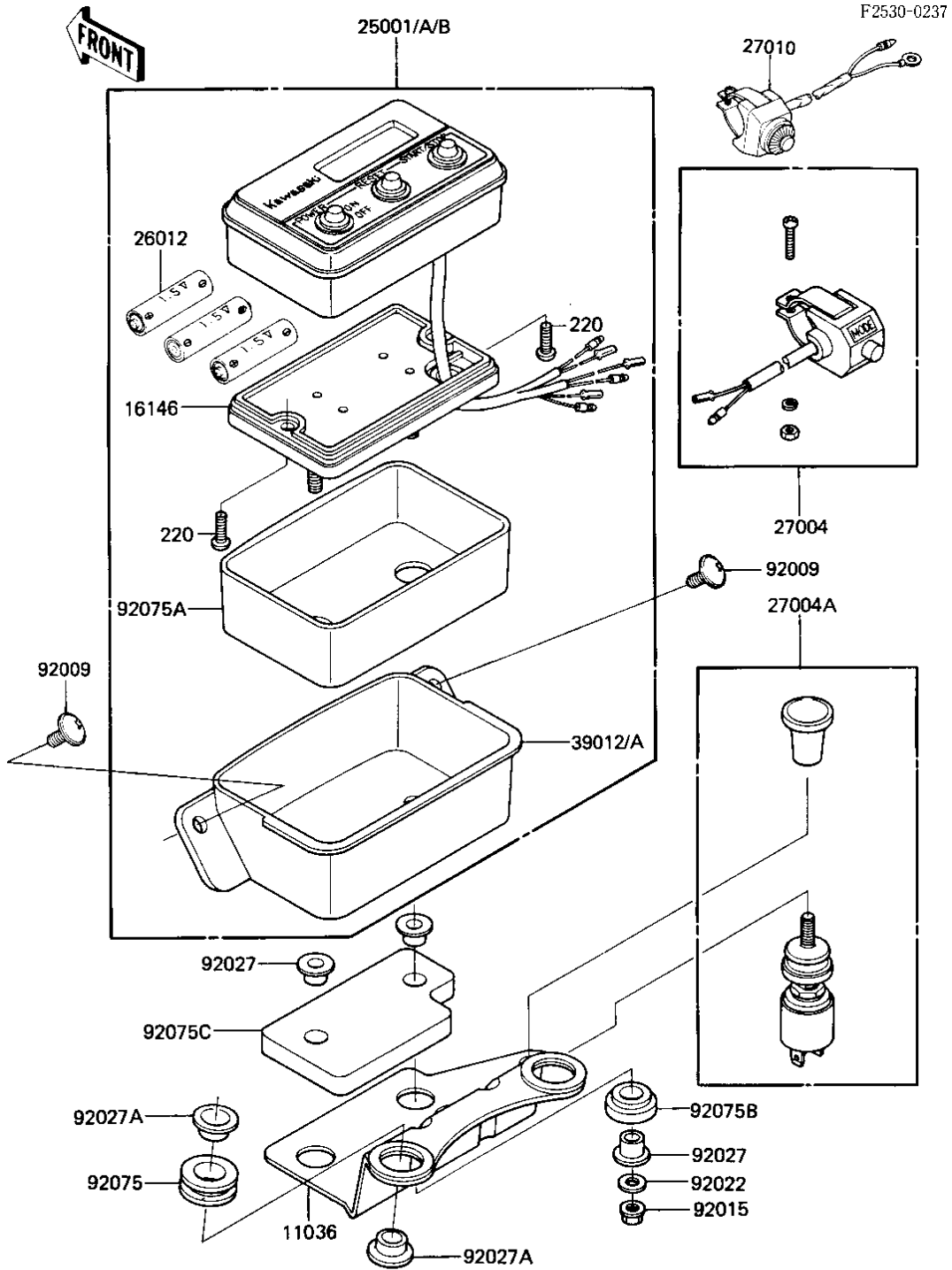


# 1984 KDX200 PARTS DIAGRAM

METER (KDX200-A1/A2)



# 1984 KDX200 PARTS LIST

METER (KDX200-A1/A2)

ITEM NAME	PART NUMBER	QUANTITY
BRACKET-A,METER (Ref # 11036)	11036-1781	1
COVER-ASSY,METER (Ref # 16146)	16146-1012	1
METER-ASSY,MILE,S.RED (Ref # 25001)	25001-1412-6B	1
METER-ASSY,MILE,L.GRE (Ref # 25001A)	25001-1412-6W	1
METER-ASSY,KILOMETER (Canada) (Ref # 25001B)	25001-1431-6W	1
SWITCH-ASSY,MODE (Ref # 27004)	27004-1011	1
SWITCH,HEAD LAMP (Ref # 27004A)	27004-4001	1
SWITCH (Ref # 27010)	27010-1162	1
CASE-STORAGE,METER,S. (Ref # 39012)	39012-1015-6B	1
CASE-STORAGE,METER,L. (Ref # 39012A)	39012-1015-6W	1
SCREW,6X10 (Ref # 92009)	92009-1286	2
NUT-6MM (Ref # 92015)	92015-1078	2
WASHER 6.5X20X1.6T (Ref # 92022)	92022-125	2
COLLAR (Ref # 92027)	92027-153	4
COLLAR,METER BRACKET (Ref # 92027A)	92027-1585	4
DAMPER RUBB TANK FRNT (Ref # 92075)	92075-013	2
DAMPER,METER (Ref # 92075A)	92075-1433	1
DAMPER,METER BRACKET (Ref # 92075B)	92075-1485	2
DAMPER,METER BRACKET (Ref # 92075C)	92075-1485	1
SCREW PAN HEAD 4X16 (Ref # 220)	220B0416	2