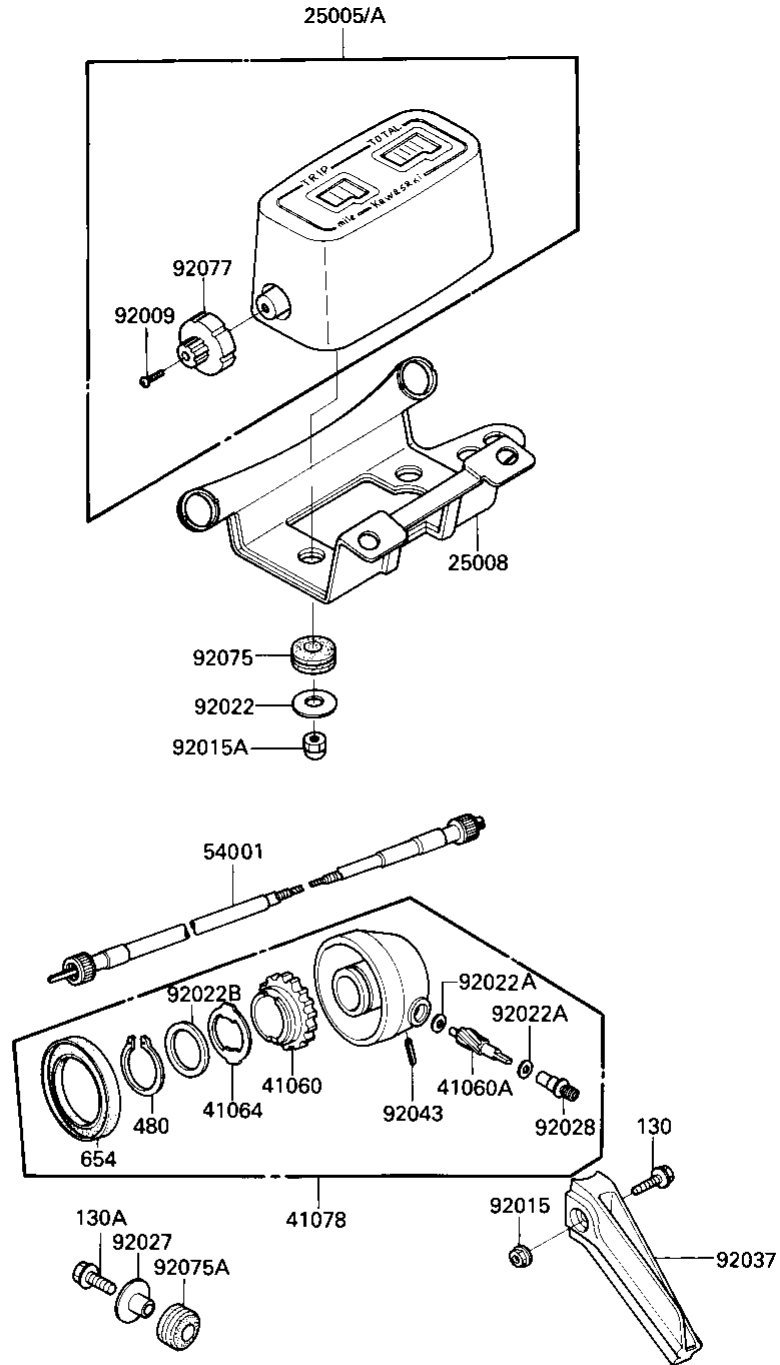


# 1985 KDX200 PARTS DIAGRAM

OPTIONAL PARTS (KDX200-A2/A3)

F2890-0002



# 1985 KDX200 PARTS LIST

## OPTIONAL PARTS (KDX200-A2/A3)

ITEM NAME	PART NUMBER	QUANTITY
ODOMETER,MILE (Ref # 25005)	25005-1061	1
BRACKET-METER (Ref # 25008)	25008-1106	1
GEAR,SPEEDOMETER (Ref # 41060)	41059-027	1
PINION,SPEEDOMETER (Ref # 41060A)	41060-015	1
RECEIVER,SPEEDOMETER (Ref # 41064)	41064-015	1
GEAR BOX ASSY (Ref # 41078)	41078-011	1
CABLE,SPEEDOMETER (Ref # 54001)	54001-4001	1
SCREW-2X6 (Ref # 92009)	92009-1159	1
NUT-6MM (Ref # 92015)	92015-1078	1
NUT-CAP,5MM (Ref # 92015A)	322C0500	2
WASHER,5.2X16X16X1.2T (Ref # 92022)	25009-004	2
WASHER THRST SPD PINI (Ref # 92022A)	41063-001	2
WASHER,THRUST (Ref # 92022B)	41065-005	1
COLLAR (Ref # 92027)	92027-251	2
BUSH,SPEEDMETER CABLE (Ref # 92028)	41062-005	1
CLAMP,CABLE (Ref # 92037)	92037-1481	1
PIN,SPRING (Ref # 92043)	41082-001	1
DAMPER RUBBER,METER (Ref # 92075)	92075-1209	2
DAMPER,HEAD LAMP BRAC (Ref # 92075A)	92075-138	2
KNOB-METER TRIP RESET (Ref # 92077)	92077-1013	1
BOLT,FLANGED,6X25 (Ref # 130)	130B0625	1
BOLT-FLANGED,6X18 (Ref # 130A)	130G0618	2
CIRCLIP-TYPE-C, 24MM (Ref # 480)	480J2400	1
OIL SEAL,#50659 (Ref # 654)	654A506509	1