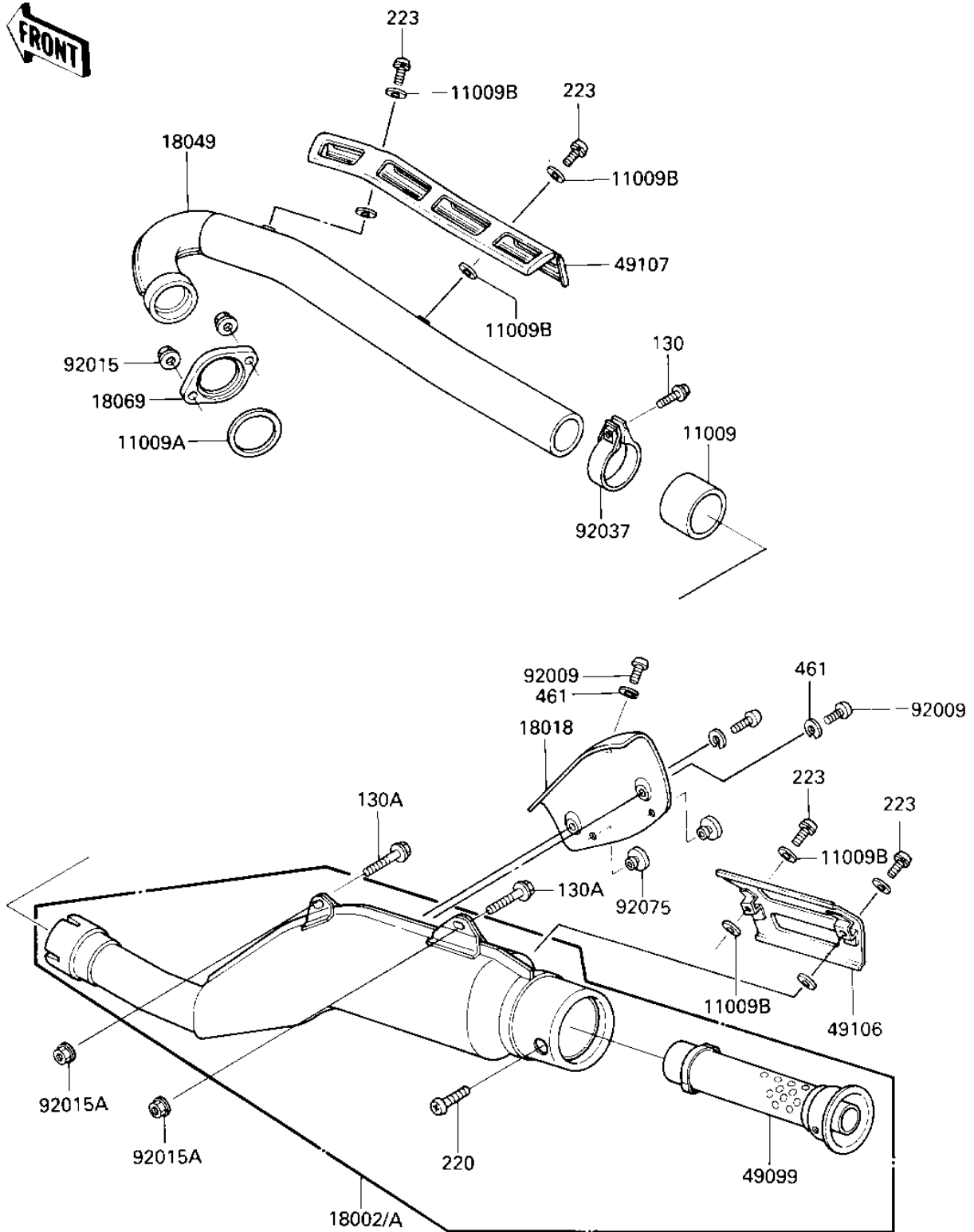


1985 KLR250 PARTS DIAGRAM

MUFFLER

E1140-0212



1985 KLR250 PARTS LIST

MUFFLER

ITEM NAME	PART NUMBER	QUANTITY
GASKET,EXHAUST PIPE C (Ref # 11009)	11009-1667	1
GASKET,EXHAUST PIPE (Ref # 11009A)	11060-1126	1
GASKET,6.2X11.5X1.5 (Ref # 11009B)	11060-1109	8
BODY-COMP-MUFFLER (Canada) (Ref # 18002)	18002-1540	1
BODY-COMP-MUFFLER (Ref # 18002A)	18002-1740	1
PLATE-HEAT GUARD (Ref # 18018)	18018-1055	1
PIPE-EXHAUST (Ref # 18049)	18049-1461	1
HOLDER-EXHAUST PIPE (Ref # 18069)	18069-1058	1
BAFFLE-PIPE MUFFLER (Ref # 49099)	49099-1219	1
COVER-MUFFLER (Ref # 49106)	49106-1052	1
COVER-EXHAUST PIPE (Ref # 49107)	49107-1057	1
SCREW (Ref # 92009)	92009-1054	3
NUT (Ref # 92015)	92015-1331	2
NUT,8MM (Ref # 92015A)	92015-1402	2
CLAMP (Ref # 92037)	92037-1604	1
DAMPER RUBB MAIN STND (Ref # 92075)	92075-005	2
BOLT-FLANGED,8X30 (Ref # 130)	130J0830	1
BOLT-FLANGED,8X40 (Ref # 130A)	130J0840	2
SCREW PAN HEAD 6X10 (Ref # 220)	220B0610	1
SCREW-PAN-WS-CROS (Ref # 223)	223C0610	4
WASHER SPRING 6MM (Ref # 461)	461F0600	3