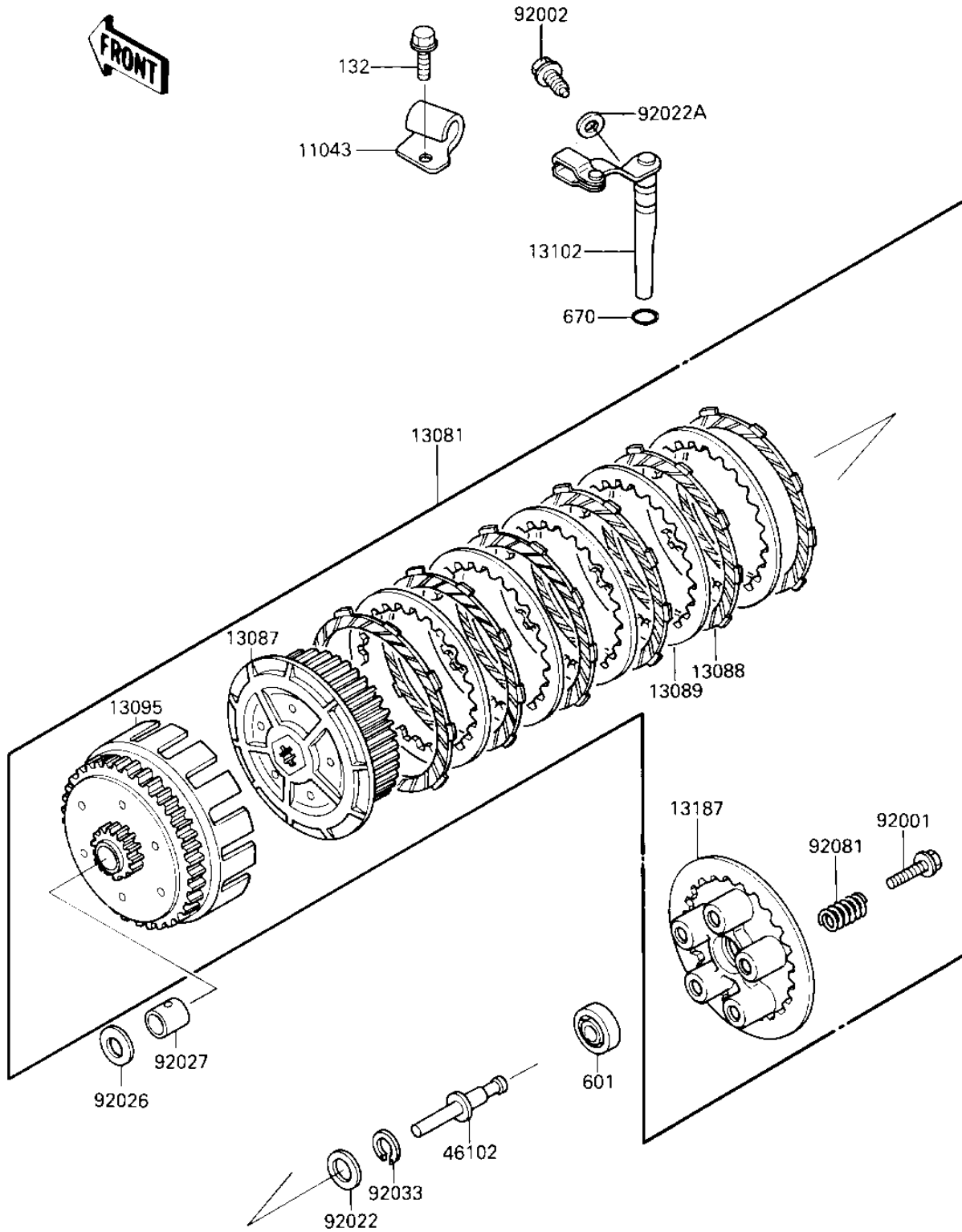


1986 KLR250 PARTS DIAGRAM

CLUTCH

E1350-0097



1986 KLR250 PARTS LIST

CLUTCH

ITEM NAME	PART NUMBER	QUANTITY
BRACKET (Ref # 11043)	11043-1931	1
CLUTCH-ASSY (Ref # 13081)	13081-1243	1
HUB-CLUTCH (Ref # 13087)	13087-1063	1
PLATE-FRICTION (Ref # 13088)	13088-1057	6
PLATE-CLUTCH (Ref # 13089)	13089-1073	5
HOUSING-COMP-CLUTCH (Ref # 13095)	13095-1126	1
RELEASE-COMP-CLUTCH (Ref # 13102)	13102-1064	1
PLATE-CLUTCH OPERATIN (Ref # 13187)	13187-1059	1
ROD,CLUTCH PUSH (Ref # 46102)	46102-1033	1
BOLT,CLUTCH SPRING,6X (Ref # 92001)	92001-1576	5
WASHER,16.3X29X1.75 (Ref # 92002)	92022-1356	1
WASHER THRUST (Ref # 92022)	92022-112	1
WASHER,PLAIN (Ref # 92022A)	92022-304	1
SPACER,20.1X34X4 (Ref # 92026)	92026-1233	1
COLLAR (Ref # 92027)	92027-1808	1
CIRCLIP,18MM (Ref # 92033)	92033-029	1
SPRING-CLUTCH (Ref # 92081)	92081-083	5
BOLT-FLANGED-SMALL (Ref # 132)	132J0612	1
BEARING-BALL (Ref # 601)	92045-1235	1
"O" RING,9MM (Ref # 670)	670B1509	1