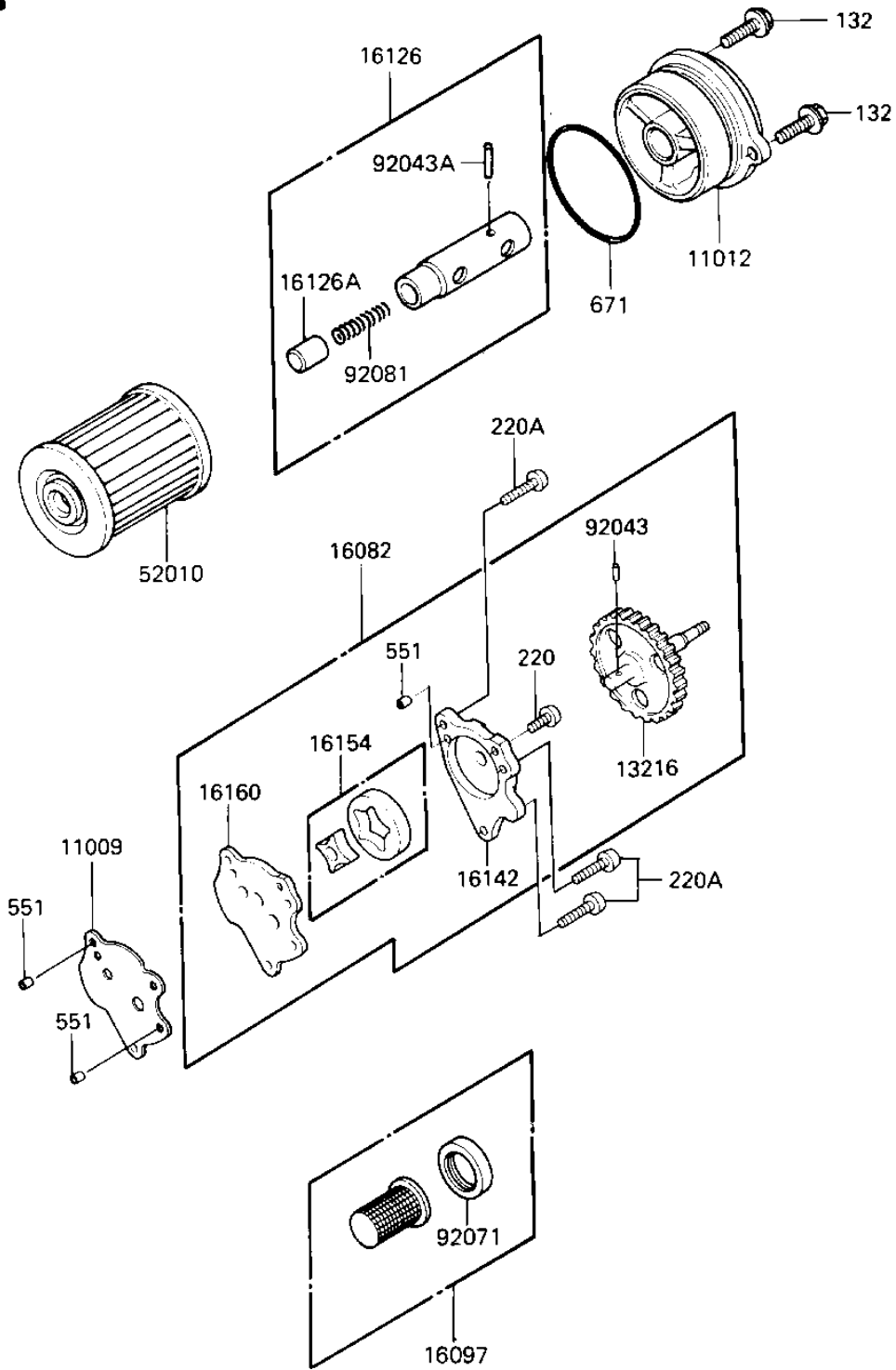


1986 KLR250 PARTS DIAGRAM

OIL PUMP/OIL FILTER (E/NO. 009938--)

E1710-0065



1986 KLR250 PARTS LIST

OIL PUMP/OIL FILTER (E/NO. 009938--)

| ITEM NAME | PART NUMBER | QUANTITY |
|------------------------------------|-------------|----------|
| GASKET,OIL PUMP (Ref # 11009) | 11060-1130 | 1 |
| CAP,OIL FILTER (Ref # 11012) | 11012-1538 | 1 |
| GEAR-COMP,OIL PUMP (Ref # 13216) | 13216-1092 | 1 |
| PUMP-ASSY-OIL (Ref # 16082) | 16082-1080 | 1 |
| STRAINER ASSY,OIL (Ref # 16097) | 16097-1001 | 1 |
| BOLT ASSY,OIL FILTER (Ref # 16126) | 16156-002 | 1 |
| PISTON (Ref # 16126A) | 92136-002 | 1 |
| COVER-PUMP (Ref # 16142) | 16142-1056 | 1 |
| ROTOR OIL PUMP (Ref # 16154) | 16154-1008 | 1 |
| BODY,OIL PUMP (Ref # 16160) | 16160-1069 | 1 |
| FILTER,OIL (Ref # 52010) | 16099-004 | 1 |
| PIN,DOWEL (Ref # 92043) | 92042-041 | 1 |
| SPRING PIN (Ref # 92043A) | 92043-123 | 1 |
| GROMMET,OIL STRAINER (Ref # 92071) | 92071-100 | 1 |
| SPRING,PISTON (Ref # 92081) | 92081-043 | 1 |
| BOLT-FLANGED-SMALL (Ref # 132) | 132J0620 | 2 |
| SCREW PAN HEAD 6X14 (Ref # 220) | 220B0614 | 1 |
| SCREW PAN HEAD 6X25 (Ref # 220A) | 220B0625 | 3 |
| PIN,DOWEL,6X8 (Ref # 551) | 551A0608 | 3 |
| "0" RING,55MM (Ref # 671) | 671B2555 | 1 |