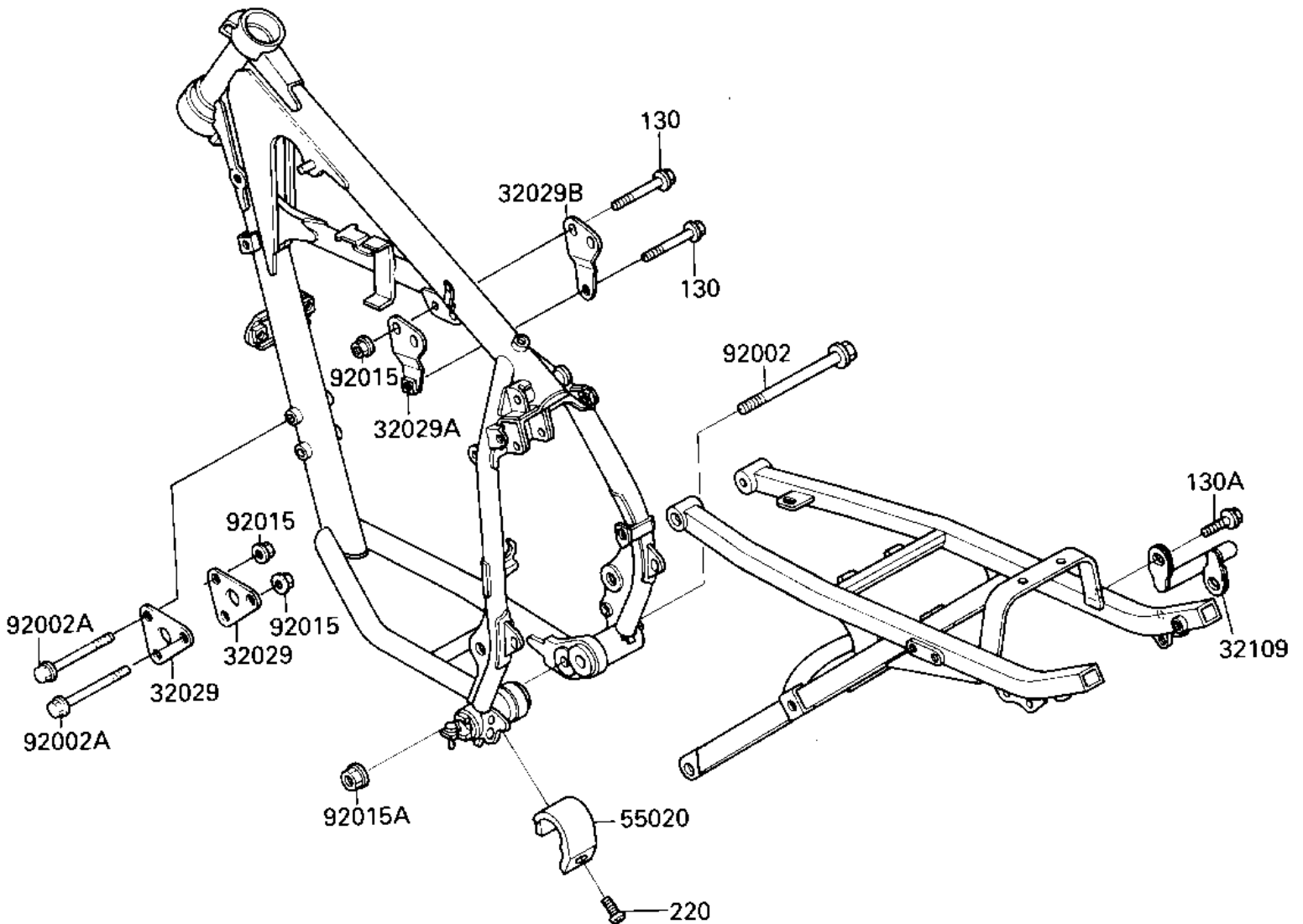


# 1986 KLR250 PARTS DIAGRAM

## FRAME FITTINGS

F2131-0204



# 1986 KLR250 PARTS LIST

## FRAME FITTINGS

| ITEM NAME                         | PART NUMBER | QUANTITY |
|-----------------------------------|-------------|----------|
| BRACKET-ENGINE,FR (Ref # 32029)   | 32029-1352  | 2        |
| BRACKET-ENGINE,LH (Ref # 32029A)  | 32029-1353  | 1        |
| BRACKET-ENGINE,RH (Ref # 32029B)  | 32029-1354  | 1        |
| GRIP-FRAME,RH (Ref # 32109)       | 32109-1121  | 1        |
| GUARD,CHAIN (Ref # 55020)         | 55020-1174  | 1        |
| BOLT,FLANGED,12X135 (Ref # 92002) | 92002-1347  | 1        |
| BOLT,FLANGED,8X70 (Ref # 92002A)  | 92002-1349  | 3        |
| NUT,8MM (Ref # 92015)             | 92015-1406  | 5        |
| NUT,12MM (Ref # 92015A)           | 92015-1426  | 1        |
| BOLT-FLANGED (Ref # 130)          | 130H0845    | 3        |
| BOLT-FLANGED (Ref # 130A)         | 130N0812    | 2        |
| SCREW PAN HEAD 5X10 (Ref # 220)   | 220B0510    | 1        |