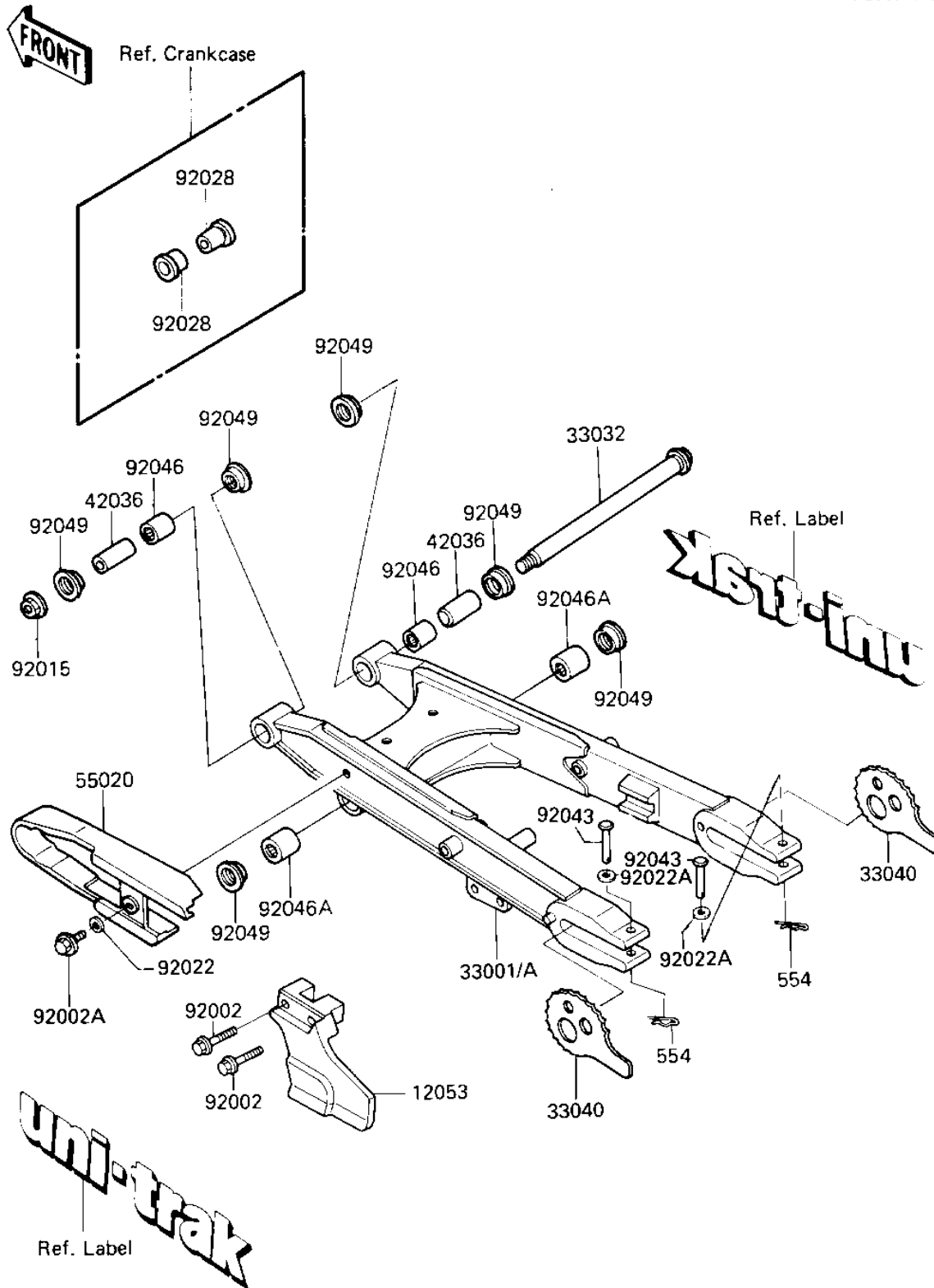


1985 KLR250 PARTS DIAGRAM

SWING ARM

F2141-0014



1985 KLR250 PARTS LIST

SWING ARM

ITEM NAME	PART NUMBER	QUANTITY
GUIDE-CHAIN,RR (Ref # 12053)	12053-1104	1
ARM-COMP-SWING,SILVER (Ref # 33001)	33001-1225-P1	1
SHAFT-SWING ARM (Ref # 33032)	33032-1108	1
ADJUSTER-CHAIN,LH (Ref # 33040)	33040-1060	2
SLEEVE,15.1X20X42.5 (Ref # 42036)	42036-1103	2
GUARD,CHAIN,FR (Ref # 55020)	55020-1154	1
BOLT,6X45 (Ref # 92002)	92002-1088	2
BOLT,5X12 (Ref # 92002A)	92002-1185	1
NUT,14MM (Ref # 92015)	92015-1459	1
WASHER PL 5.5X20X1.2 (Ref # 92022)	92022-104	1
WASHER-PLAIN (Ref # 92022A)	92022-183	2
BUSHING,SWING ARM (Ref # 92028)	92028-1261	2
PIN (Ref # 92043)	92043-1110	2
BEARING-NEEDLE,BM2027 (Ref # 92046)	92046-1110	2
BEARING-NEEDLE,BTM202 (Ref # 92046A)	92046-1113	2
SEAL-OIL,ARM,CNT (Ref # 92049)	92049-1109	6
PIN,SNAP (Ref # 554)	554A0600	2