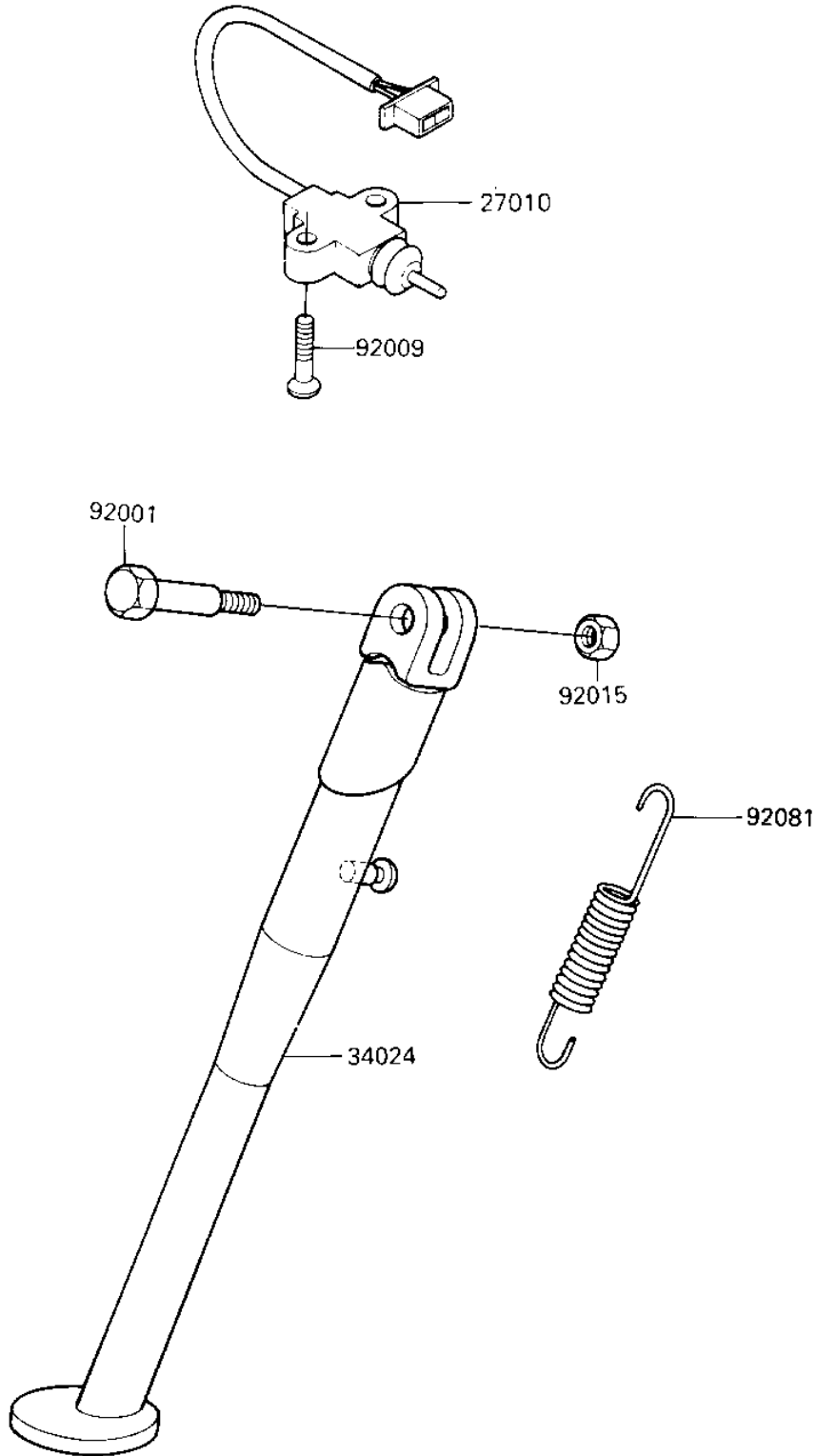


1985 KLR250 PARTS DIAGRAM

STAND

F2190-0172



1985 KLR250 PARTS LIST

STAND

ITEM NAME	PART NUMBER	QUANTITY
SWITCH,SIDE STAND (Ref # 27010)	27010-1189	1
STAND-SIDE (Ref # 34024)	34024-1182	1
BOLT, SIDE STAND FIT (Ref # 92001)	92003-157	1
SCREW (Ref # 92009)	92009-1359	2
NUT,LOCK,10MM (Ref # 92015)	92019-021	1
SPRING,L=127 (Ref # 92081)	92081-1376	1