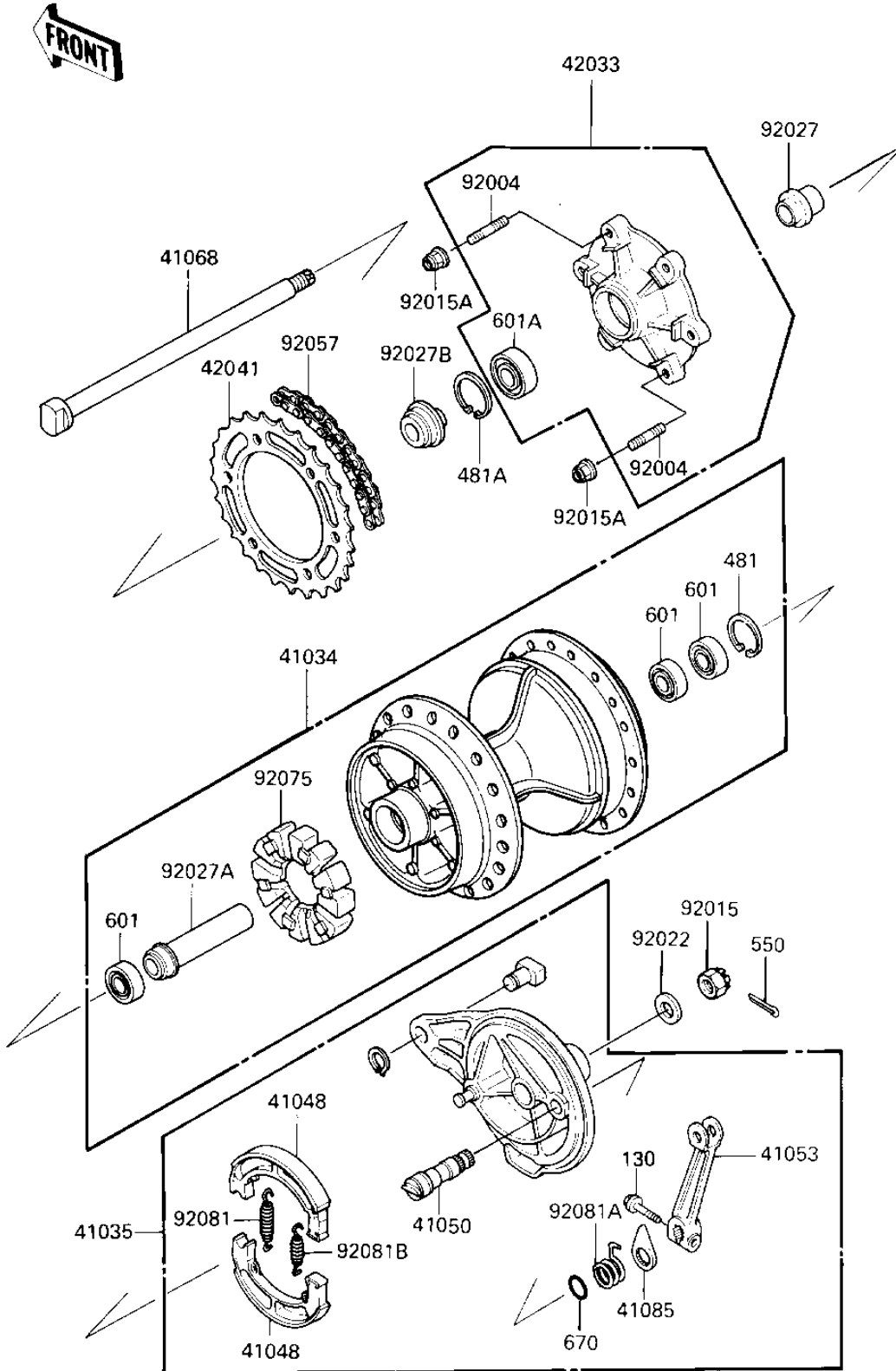


1985 KLR250 PARTS DIAGRAM

REAR HUB/BRAKE/CHAIN

F2249-0165



1985 KLR250 PARTS LIST

REAR HUB/BRAKE/CHAIN

ITEM NAME	PART NUMBER	QUANTITY
DRUM-ASSY,REAR BRAKE (Ref # 41034)	41034-1113	1
PANEL-ASSY-BRAKE,RR (Ref # 41035)	41035-1173	1
SHOE-BRAKE (Ref # 41048)	41048-1056	2
CAM-BRAKE (Ref # 41050)	41050-1058	1
LEVER-BRAKE CAM (Ref # 41053)	41053-1061	1
AXLE,RR (Ref # 41068)	41068-1178	1
INDICATOR,FR BRK PNL (Ref # 41085)	41085-005	1
COUPLING-ASSY,REAR HU (Ref # 42033)	42033-1111	1
SPROCKET-HUB,44T (Ref # 42041)	42041-1191	1
STUD (Ref # 92004)	92004-1149	6
NUT CASTLE 16M/M (Ref # 92015)	42045-014	1
NUT (Ref # 92015A)	92015-1506	6
WASHER SLEEVE (Ref # 92022)	42046-009	1
COLLAR,REAR HUB COUPL (Ref # 92027)	92027-1770	1
COLLAR,REAR BRAKE DRU (Ref # 92027A)	92027-1823	1
COLLAR,REAR HUB COUPL (Ref # 92027B)	92027-1826	1
CHAIN,DRIVE,EK520L-OX (Ref # 92057)	92057-1181	1
DAMPER,RR HUB,SHOCK (Ref # 92075)	92075-1068	1
SPRING,BRAKE SHOE (Ref # 92081)	92081-1550	1
SPRING,BRAKE CAM LEVE (Ref # 92081A)	92081-1615	1
SPRING,BRAKE SHOE (Ref # 92081B)	92081-1766	1
BOLT,FLANGED,6X25 (Ref # 130)	130G0625	1
CIRCLIP,35MM (Ref # 481)	481J3500	1
CIRCLIP,42MM (Ref # 481A)	92033-1041	1
PIN-COTTER,4.0X35 (Ref # 550)	550D4035	1
BEARING-BALL,#6003UC3 (Ref # 601)	601B6003U	3
BEARING-BALL,#6004U (Ref # 601A)	601B6004U	1
"O" RING,15MM (Ref # 670)	670B2015	1