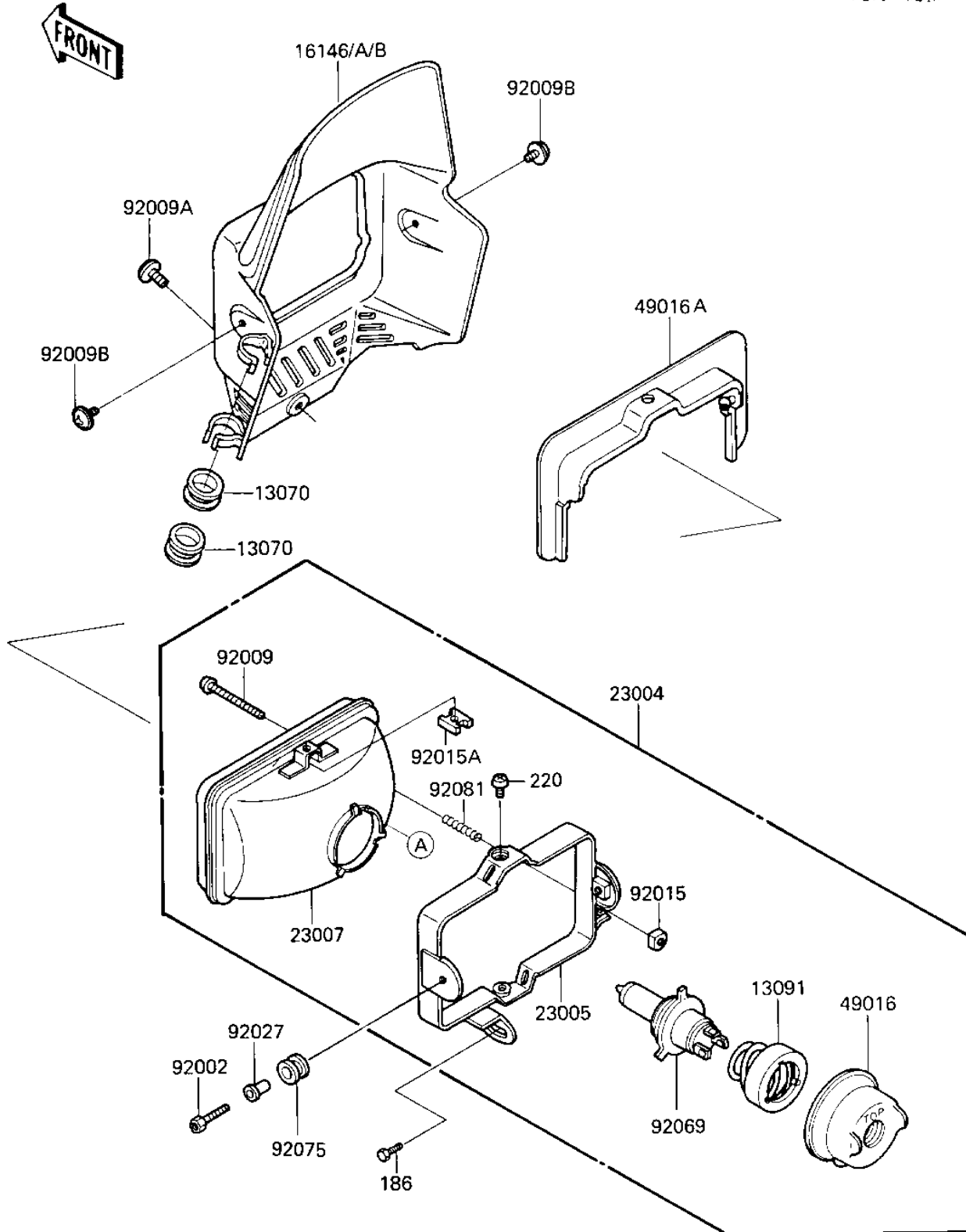


1985 KLR250 PARTS DIAGRAM

HEADLIGHT

F2710-0240



1985 KLR250 PARTS LIST

HEADLIGHT

ITEM NAME	PART NUMBER	QUANTITY
GUIDE,BRAKE HOSE (Ref # 13070)	13070-1107	2
HOLDER,SOCKET (Ref # 13091)	13091-1558	1
COVER-ASSY,HEAD LAMP, (Ref # 16146)	16146-5005-6F	1
COVER-ASSY,HEAD LAMP, (Canada) (Ref # 16146A)	16146-5006-6W	1
LAMP-HEAD (Ref # 23004)	23004-1251	1
BODY-COMP-HEAD LAMP (Ref # 23005)	23005-1052	1
LENS-COMP,HEAD LAMP (Ref # 23007)	23007-1174	1
COVER-SEAL,SOCKET (Ref # 49016)	49016-1037	1
COVER-SEAL,HEAD LAMP (Ref # 49016A)	49016-1101	1
BOLT (Ref # 92002)	92002-1319	2
SCREW,FOCUS ADJUSTING (Ref # 92009)	92009-1065	1
SCREW,6X14 (Ref # 92009A)	92009-1287	1
SCREW,6X8 (Ref # 92009B)	92009-1294	2
NUT,4MM (Ref # 92015)	23020-018	1
NUT,5MM (Ref # 92015A)	92015-1354	2
COLLAR,FUEL TANK FITT (Ref # 92027)	92027-1134	2
BULB,12V-60/55W (Ref # 92069)	92069-1002	1
DAMPER (Ref # 92075)	92160-1007	2
SPRING FOCUS ADJUST (Ref # 92081)	23014-005	1
BOLT (Ref # 186)	186B0614	1
SCREW PAN HEAD 5X8 (Ref # 220)	220B0508	2