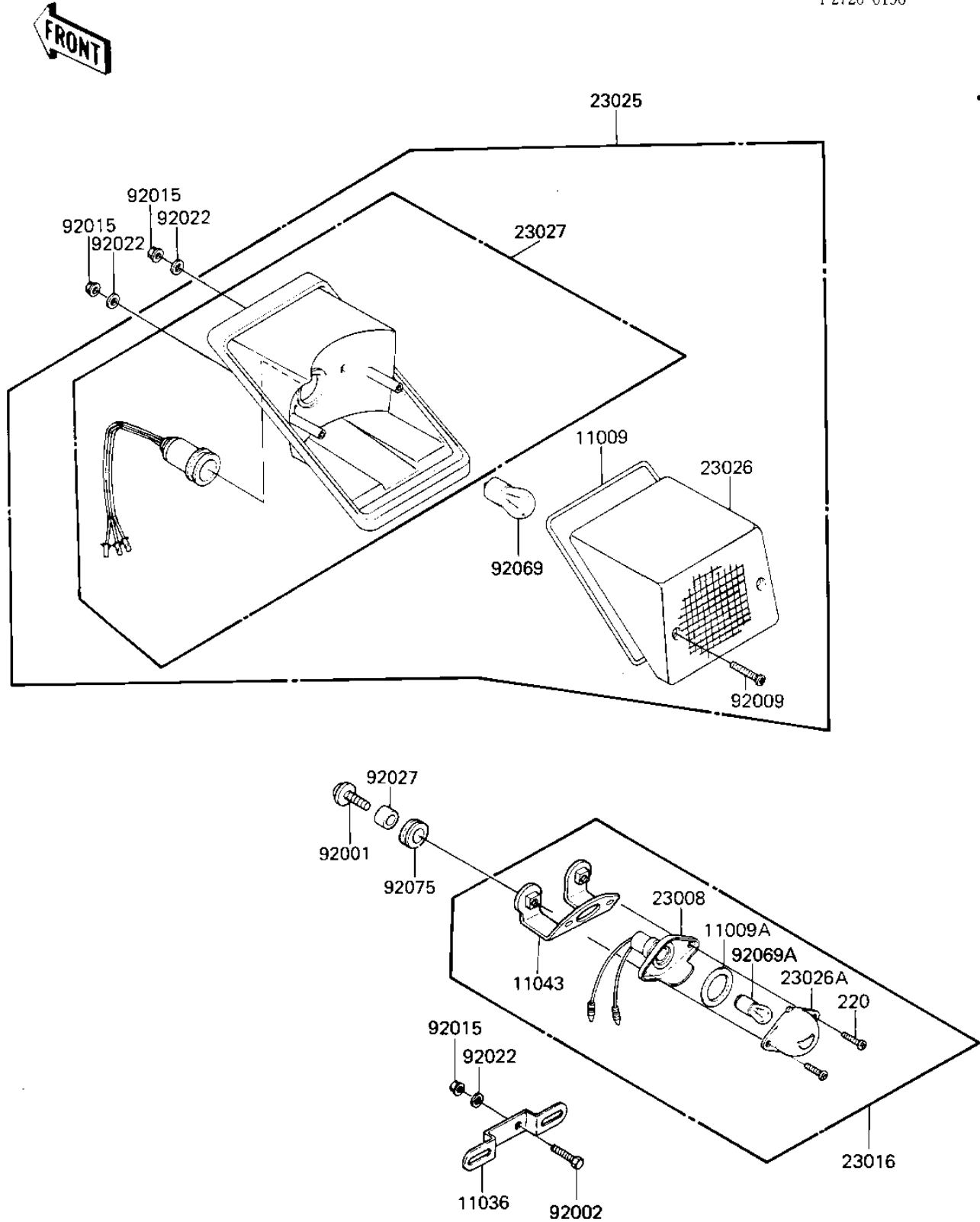


1985 KLR250 PARTS DIAGRAM

TAILLIGHT

F2720-0196



1985 KLR250 PARTS LIST

TAILLIGHT

ITEM NAME	PART NUMBER	QUANTITY
GASKET,TAIL LAMP (Ref # 11009)	11009-1371	1
GASKET,LICENSE PLATE (Ref # 11009A)	11009-1372	1
BRACKET-A,LICENSE PLA (Ref # 11036)	11036-1040	1
BRACKET,LICENSE PLATE (Ref # 11043)	11043-1497	1
SCOKET-ASSY,LICENSE P (Ref # 23008)	23008-1205	1
LAMP-ASSY,LICENSE PLA (Ref # 23016)	23016-1057	1
LAMP-TAIL (Ref # 23025)	23025-1103	1
LENS,TAIL LAMP (Ref # 23026)	23026-1053	1
LENS,LICENSE PLATE LA (Ref # 23026A)	23026-1054	1
BODY-COMP-TAIL LAMP (Ref # 23027)	23027-1052	1
BOLT,6X22 (Ref # 92001)	92002-1262	2
BOLT,6X16 (Ref # 92002)	92002-1124	2
SCREW,TAPPING,4X20 (Ref # 92009)	92009-1297	2
NUT-6MM (Ref # 92015)	92015-1078	4
WASHER 6.5X20X1.6T (Ref # 92022)	92022-125	4
COLLAR 6.8X10X10.5 (Ref # 92027)	92027-120	2
BULB,12V 32/3CP (Ref # 92069)	92069-059	1
BULB,12V 4CP (Ref # 92069A)	92069-1012	1
DAMPER RUBBER,CASE (Ref # 92075)	92075-222	2
SCREW PAN HEAD 4X10 (Ref # 220)	220B0410	2