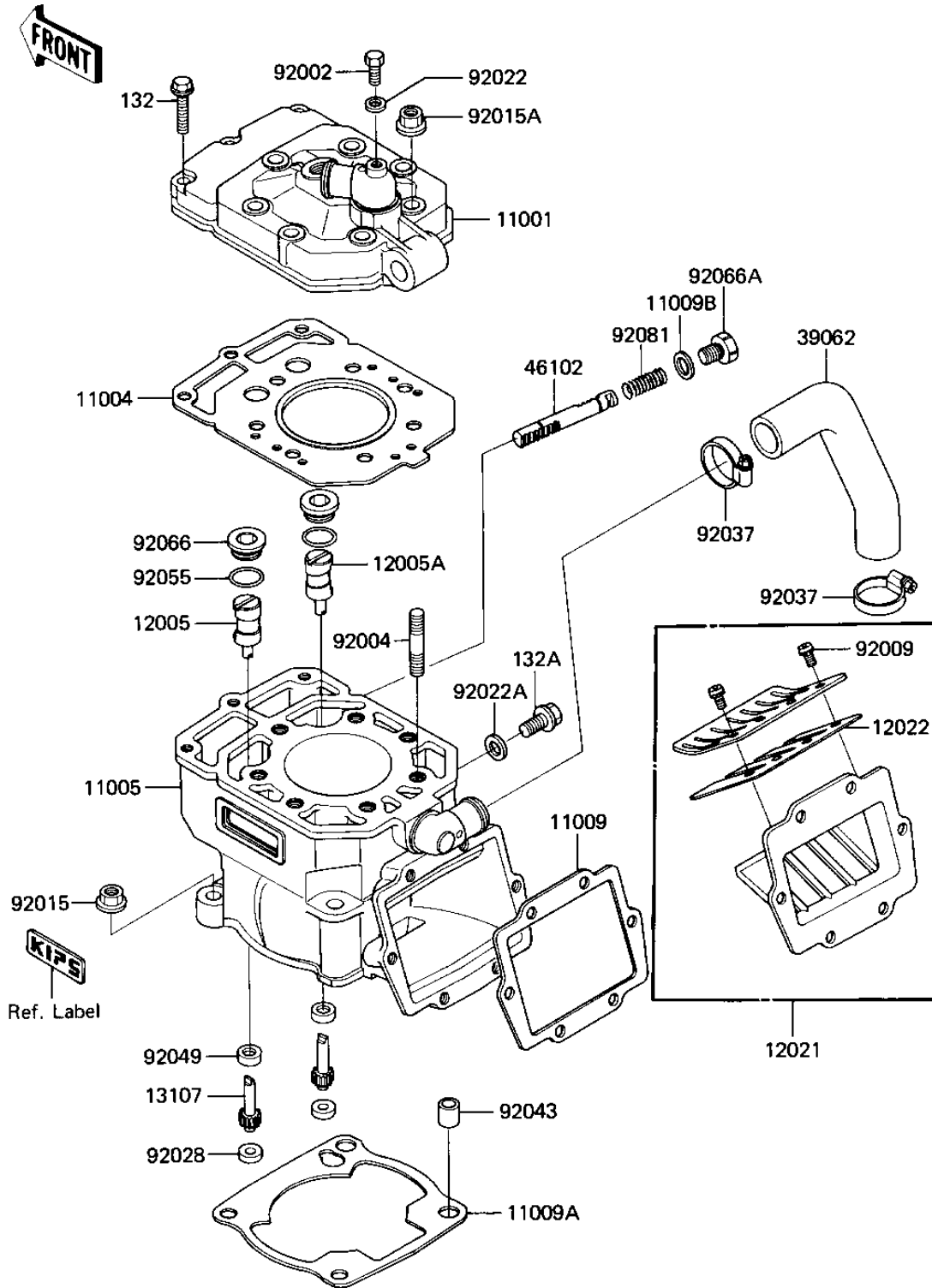


# 1985 KX250 PARTS DIAGRAM

CYLINDER HEAD/CYLINDER/REED VALVE



# 1985 KX250 PARTS LIST

## CYLINDER HEAD/CYLINDER/REED VALVE

ITEM NAME	PART NUMBER	QUANTITY
HEAD-CYLINDER (Ref # 11001)	11001-1188	1
GASKET-HEAD,CYLINDER (Ref # 11004)	11004-1126	1
CYLINDER-ENGINE (Ref # 11005)	11005-1415	1
GASKET,REED VALVE (Ref # 11009)	11009-1950	1
GASKET,CYLINDER BASE (Ref # 11009A)	11009-1462	1
GASKET CHECK VALVE (Ref # 11009B)	92065-058	1
VALVE-EXHAUST,LH (Ref # 12005)	12005-1059	1
VALVE-EXHAUST,RH (Ref # 12005A)	12005-1061	1
VALVE-ASSY-REED (Ref # 12021)	12021-1058	1
VALVE-REED (Ref # 12022)	12022-1017	2
SHAFT,EXHAUST VALVE (Ref # 13107)	13107-1139	2
HOSE-COOLING (Ref # 39062)	39062-1105	1
ROD,GOVERNOR (Ref # 46102)	46102-1132	1
BOLT,6X10 (Ref # 92002)	92002-1222	1
STUD (Ref # 92004)	92004-1210	7
SCREW,REED VALVE (Ref # 92009)	92009-1014	8
NUT,10MM (Ref # 92015)	92015-1415	4
NUT-8MM (Ref # 92015A)	92015-1143	7
WASHER OIL PUMP BANJ (Ref # 92022)	92022-077	1
WASHER,8.2X14X1 (Ref # 92022A)	92022-1488	1
BUSHING,6X13X5 (Ref # 92028)	92028-1342	2
CLAMP,COOLING HOSE (Ref # 92037)	92037-1589	2
PIN,11X14X12.3 (Ref # 92043)	92043-1266	2
SEAL-OIL,SO6134 (Ref # 92049)	92049-1208	2
"O" RING (Ref # 92055)	92055-022	2
PLUG,EXHAUST VALVE (Ref # 92066)	92066-1193	2
PLUG OIL DRAIN (Ref # 92066A)	92067-001	1
SPRING,ROD (Ref # 92081)	92081-1789	1
BOLT-FLANGED-SMALL (Ref # 132)	132G0625	3

# 1985 KX250 PARTS LIST

## CYLINDER HEAD/CYLINDER/REED VALVE

ITEM NAME	PART NUMBER	QUANTITY
BOLT-FLANGED-SMALL (Ref # 132A)	132G0810	1