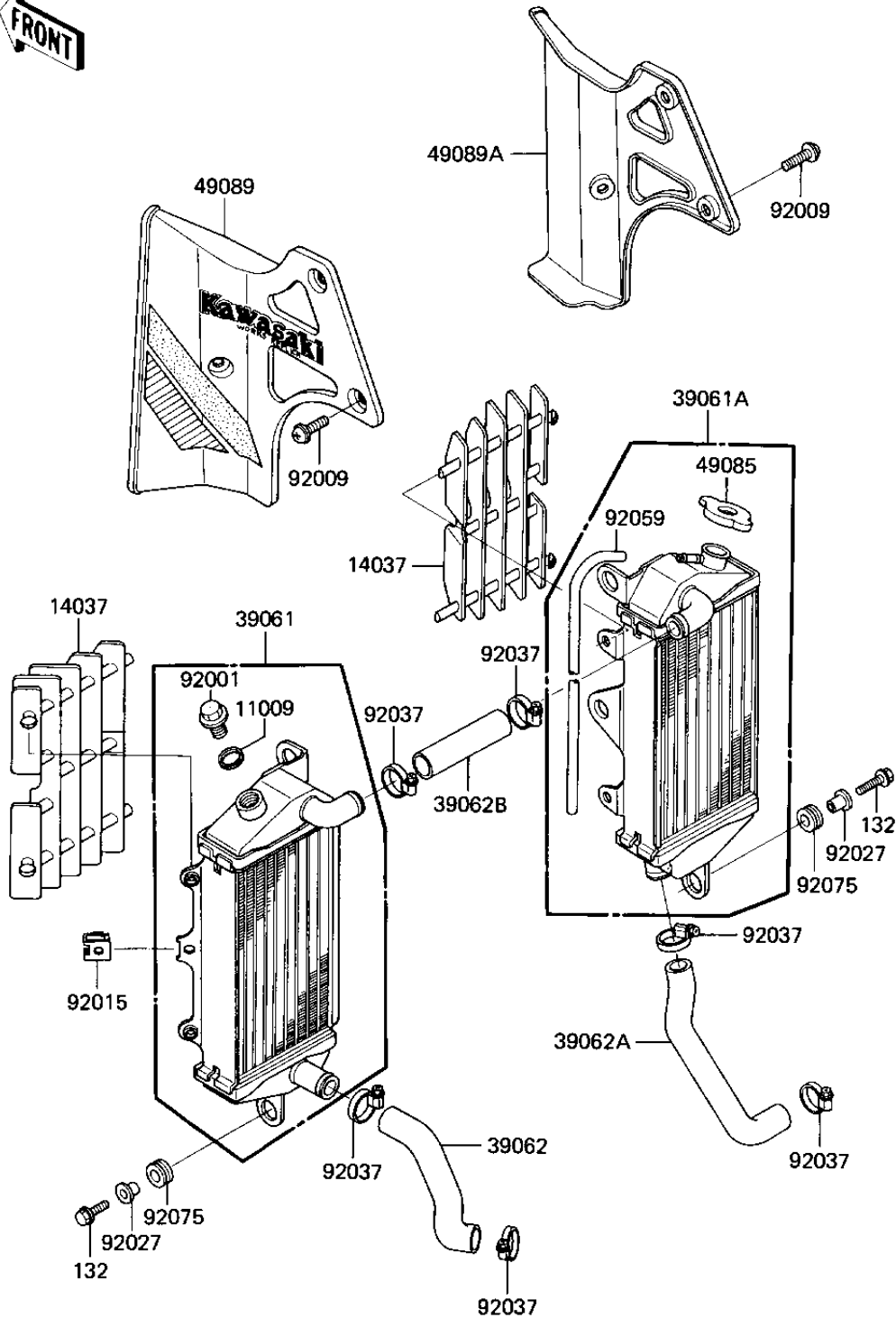


1985 KX250 PARTS DIAGRAM

RADIATORS

E3032-0021



Part Number	Quantity
11	11
14	14
39	39
39	39
39	39
39	39
39	39
49	49
49	49
49	49
92	92
92	92
92	92
92	92
92	92
92	92
92	92

1985 KX250 PARTS LIST

RADIATORS

ITEM NAME	PART NUMBER	QUANTITY
GASKET,DRAIN PLUG (Ref # 11009)	11009-1152	1
SCREEN,RADIATOR,EBON (Ref # 14037)	14037-1077-6C	2
RADIATOR-ASSY,LH (Ref # 39061)	39061-1064	1
RADIATOR-ASSY,RH (Ref # 39061A)	39061-1065	1
HOSE-COOLING,CYLINDE (Ref # 39062)	39062-1094	1
HOSE-COOLING,RADIATO (Ref # 39062A)	39062-1095	1
HOSE-COOLING,RADIATO (Ref # 39062B)	39062-1096	1
CAP-ASSY-PRESSURE (Ref # 49085)	49085-1003	1
SHROUD-ENGINE,LH,L.G (Ref # 49089)	49089-5004-6W	1
SHROUD-ENGINE,RH,L.G (Ref # 49089A)	49089-5005-6W	1
BOLT,RADIATOR DRAIN (Ref # 92001)	92002-1682	1
SCREW,6X10 (Ref # 92009)	92009-1286	6
NUT (Ref # 92015)	92015-1487	2
COLLAR (Ref # 92027)	92027-194	6
CLAMP,COOLING HOSE (Ref # 92037)	92037-1589	6
TUBE,5X9X800 (Ref # 92059)	92059-1383	1
DAMPER RUBBER,RR FEN (Ref # 92075)	92075-209	6
BOLT-FLANGED-SMALL (Ref # 132)	132G0620	6