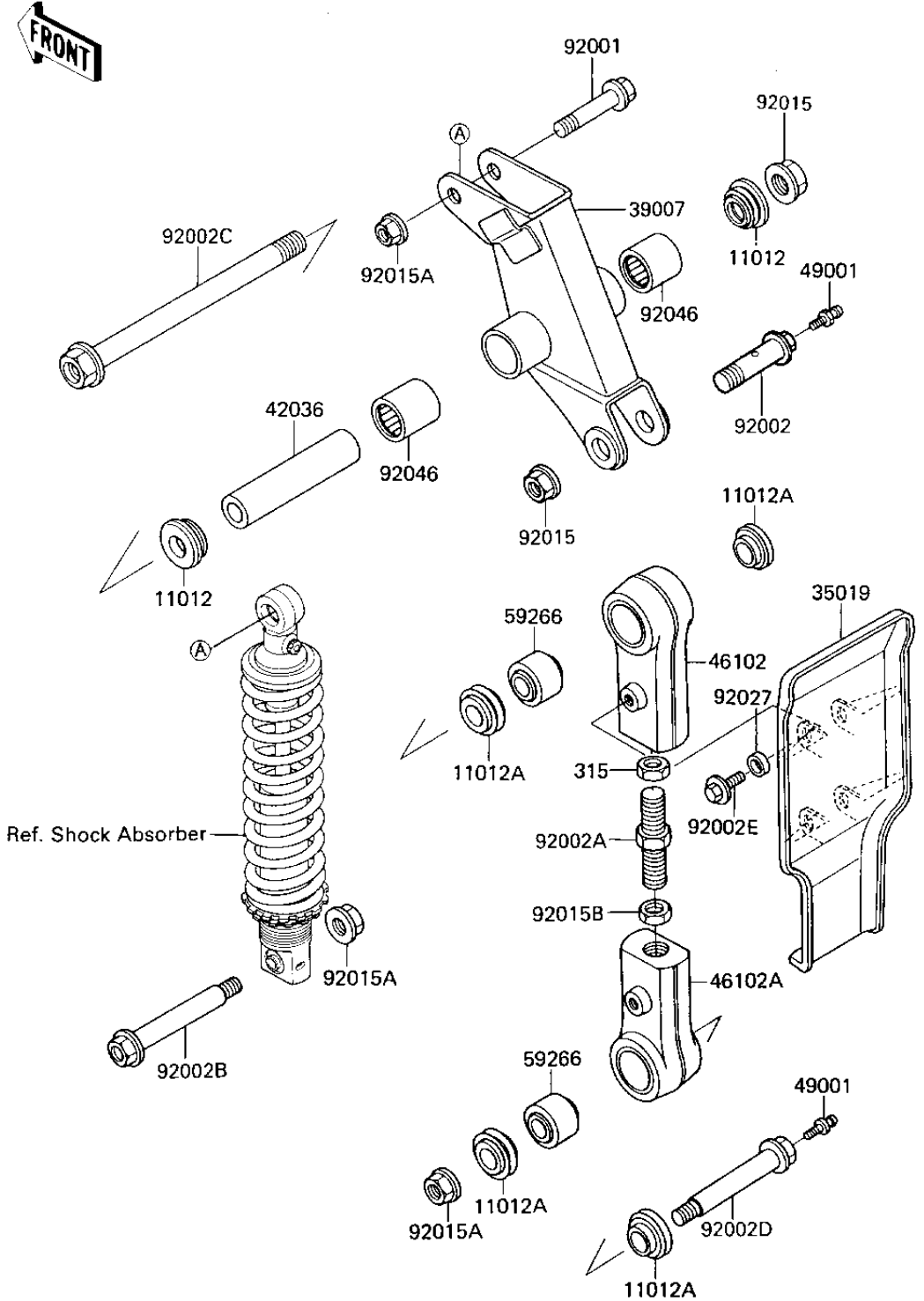


# 1985 KX250 PARTS DIAGRAM

## REAR SUSPENSION

F2150-0069



Re  
No

1  
1  
3  
3  
4  
4  
4  
4  
5  
9  
9  
9  
9  
9  
9  
9  
9  
9  
9

# 1985 KX250 PARTS LIST

## REAR SUSPENSION

ITEM NAME	PART NUMBER	QUANTITY
CAP,SWING ARM (Ref # 11012)	11012-1207	2
CAP,ROD (Ref # 11012A)	11012-1418	4
FLAP,ROD (Ref # 35019)	35019-1166	1
ARM-SUSP,UNI TRAK (Ref # 39007)	39007-5006	1
SLEEVE,SUSPENSION AR (Ref # 42036)	42036-1144	1
ROD,UNI TRAK (Ref # 46102)	46102-1130	1
ROD,UNI TRAK (Ref # 46102A)	46102-1131	1
NIPPLE-GREASE,ROD BO (Ref # 49001)	49001-1051	2
JOINT-BALL,ROD (Ref # 59266)	59266-1056	2
BOLT,FLANGED,10X48 (Ref # 92001)	92001-1962	1
BOLT,FLANGED,14X57 (Ref # 92002)	92002-1390	1
BOLT,ROD (Ref # 92002A)	92002-1394	1
BOLT,10X68 (Ref # 92002B)	92002-1395	1
BOLT,14X122 (Ref # 92002C)	92002-1396	1
BOLT,ROD,10X65 (Ref # 92002D)	92002-1397	1
BOLT,6X14 (Ref # 92002E)	92150-1340	4
NUT,14MM (Ref # 92015)	92015-1407	2
NUT,10MM (Ref # 92015A)	92015-1415	3
NUT,14MM (Ref # 92015B)	92015-1463	1
COLLAR (Ref # 92027)	92027-1885	4
BEARING-NEEDLE,TA203 (Ref # 92046)	92046-1128	2
NUT-HEX-FINE (Ref # 315)	315G1400	1