

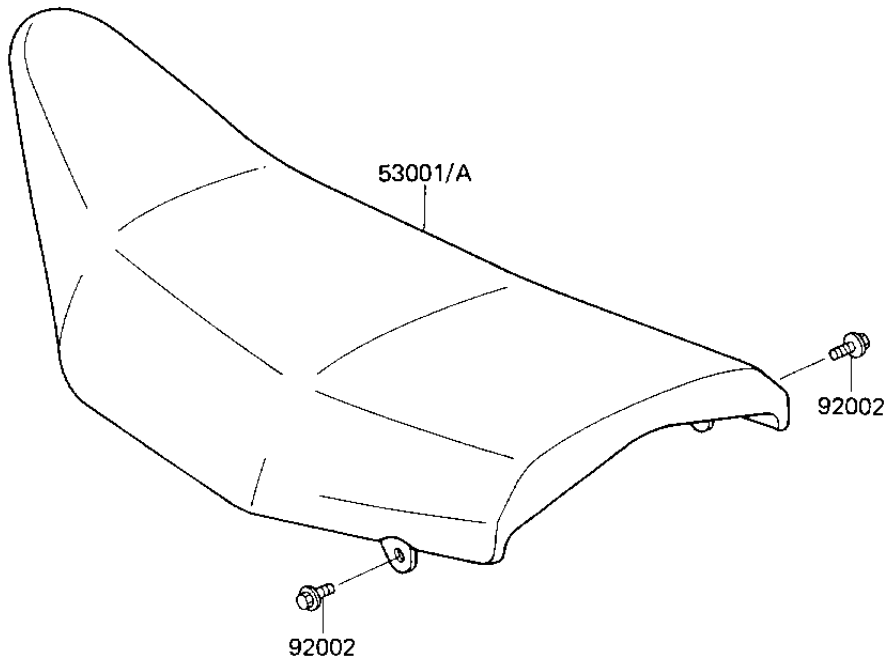
# 1985 KX250 PARTS DIAGRAM

SEAT

F2510-0251



—  
R  
N  
—  
53  
53  
92



|

# 1985 KX250 PARTS LIST

## SEAT

ITEM NAME	PART NUMBER	QUANTITY
SEAT-ASSY (Ref # 53001)	53001-1398	1
SEAT-ASSY (Ref # 53001A)	53001-1399	1
BOLT,6X14 (Ref # 92002)	92150-1340	2