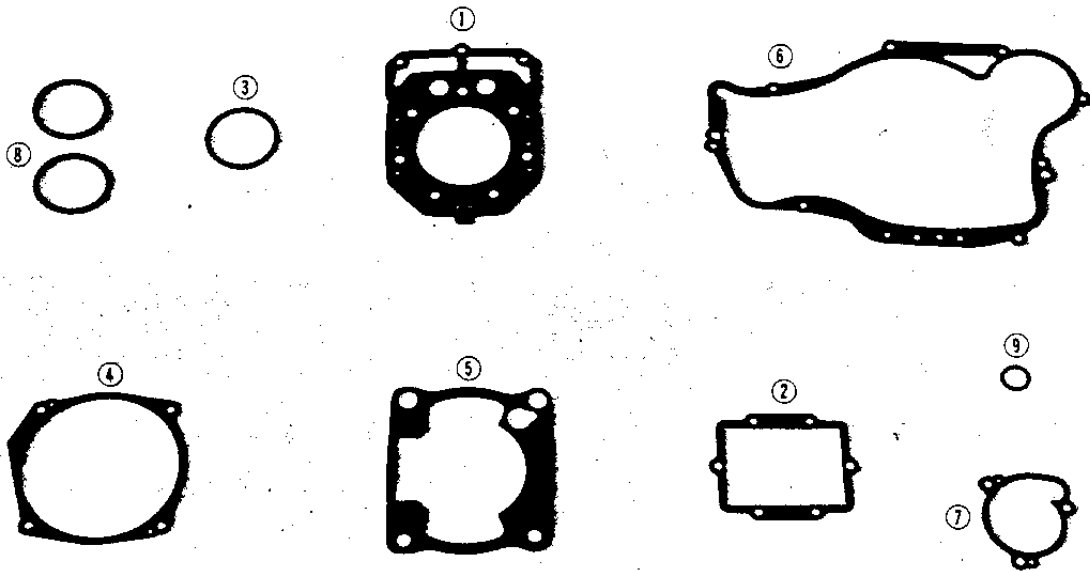


# 1985 KX250 PARTS DIAGRAM

GASKIT KIT

## Gasket kit

### KX250-D



ITEM NO.	DESCRIPTION	PART NO.	1985-1985 Complete Kit (QTY.)
1	Gasket-Head, Cylinder	11004-1126	1
2	Gasket, Reed Valve	11009-1252	1
3	Gasket, Exhaust Pipe	11009-1253	1
4	Gasket, Generator Cover	11009-1319	1
5	Gasket, Cylinder Base	11009-1462	1
6	Gasket, Clutch Cover	11009-1463	1
7	Gasket, Water Pump	11009-1464	1
8	O Ring, 50 mm, Exhaust Pipe	671E2550	2
9	O Ring, 19.5 x 1.5, Elbow	92055-055	1
Kit includes			9 items: 10 pcs.

Note: All Part No.'s shown reflect latest P/N at printing — Jan. 1985

# 1985 KX250 PARTS LIST

## GASKIT KIT

ITEM NAME	PART NUMBER	QUANTITY
GASKET-HEAD,CYLINDER (Ref # 1)	11004-1126	1
GASKET,REED VALVE (Ref # 2)	11009-1252	1
GASKET,EXHAUST PIPE (Ref # 3)	11009-1253	1
GASKET,GENERATOR COVE (Ref # 4)	11009-1319	1
GASKET,CYLINDER BASE (Ref # 5)	11009-1462	1
GASKET,CLUTCH COVER (Ref # 6)	11009-1463	1
GASKET,WATER PUMP COV (Ref # 7)	11009-1464	1
O RING,50MM (Ref # 8)	671E2550	2
"O" RING (Ref # 9)	92055-055	1