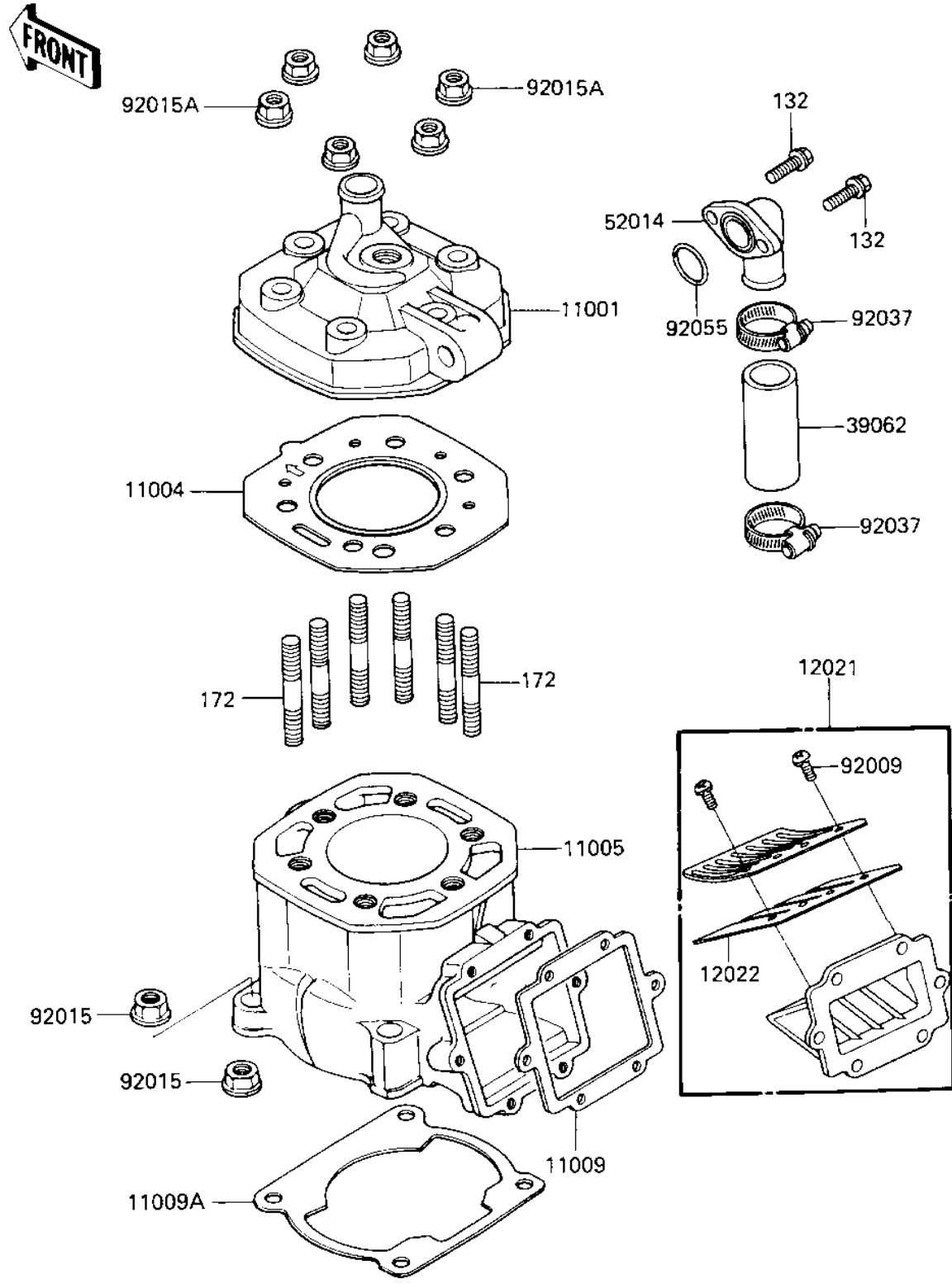


1984 Tecate PARTS DIAGRAM

CYLINDER HEAD/CYLINDER/REED VALVE ('84 A)

EX-110 0017



1984 Tecate PARTS LIST

CYLINDER HEAD/CYLINDER/REED VALVE ('84 A)

ITEM NAME	PART NUMBER	QUANTITY
HEAD-CYLINDER (Ref # 11001)	11001-1110	1
GASKET-HEAD,CYLINDER (Ref # 11004)	11004-1057	1
CYLINDER-ENGINE (Ref # 11005)	11005-1393	1
GASKET,REED VALVE (Ref # 11009)	11009-1950	1
GASKET,CYLINDER BASE (Ref # 11009A)	11009-1318	1
VALVE-ASSY-REED (Ref # 12021)	12021-1019	1
VALVE-REED (Ref # 12022)	12022-1017	2
HOSE-COOLING,RADIATOR (Ref # 39062)	39062-1256	1
ELBOW (Ref # 52014)	52014-1004	1
SCREW REED VALVE (Ref # 92009)	92009-1014	8
NUT,10MM (Ref # 92015)	92015-1415	4
NUT-8MM (Ref # 92015A)	92015-1143	6
CLAMP,COOLING HOSE (Ref # 92037)	92037-1589	2
"O" RING (Ref # 92055)	92055-055	1
BOLT-FLANGED-SMALL (Ref # 132)	132G0616	2
STUD,8X35 (Ref # 172)	92004-1009	6