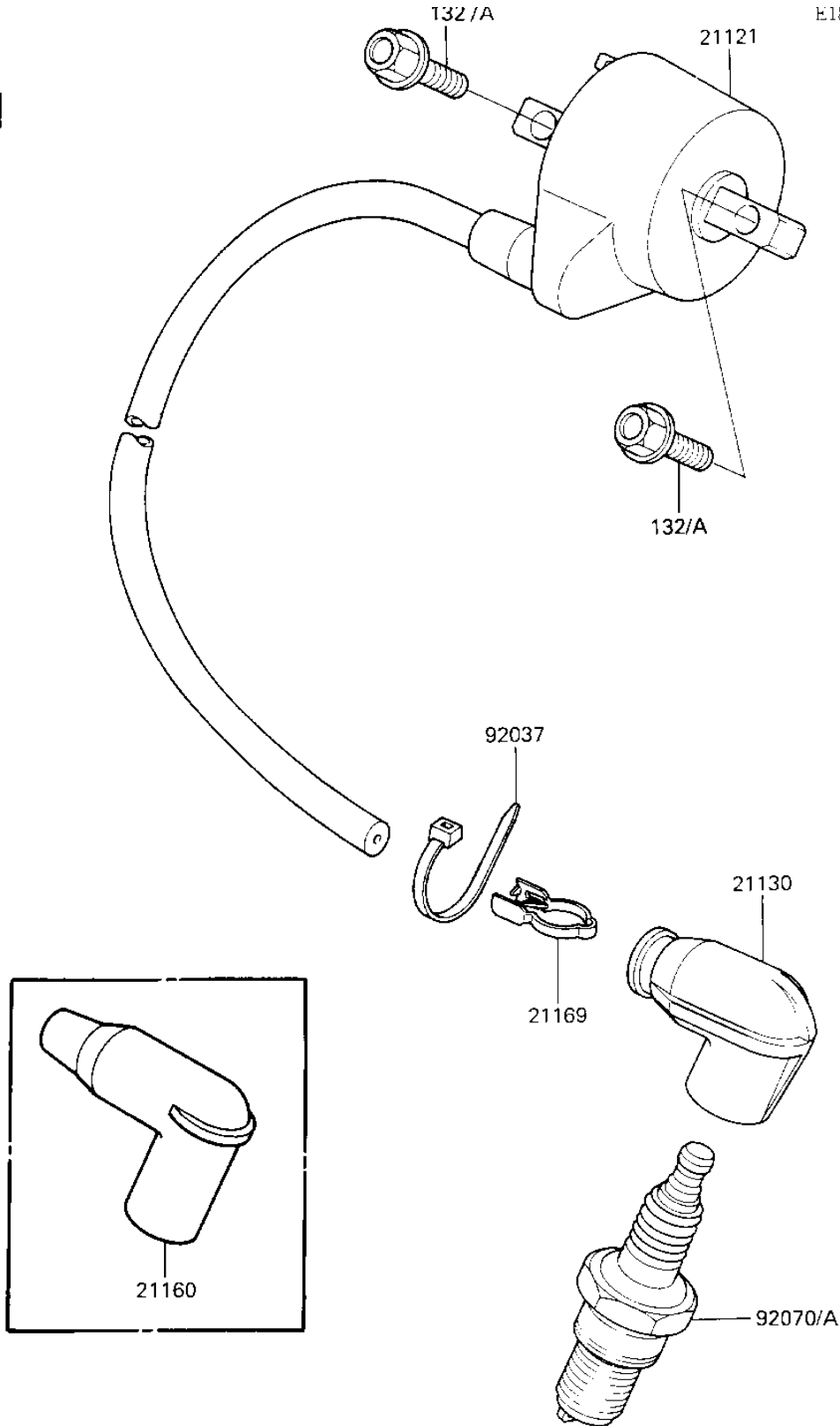


# 1984 Tecate PARTS DIAGRAM

IGNITION COIL ('84 A1)

E1830-0212



# 1984 Tecate PARTS LIST

## IGNITION COIL ('84 A1)

ITEM NAME	PART NUMBER	QUANTITY
COIL-IGNITION (Ref # 21121)	21121-1126	1
CAP,SPARK PLUG (Ref # 21130)	21130-1006	1
CAP ASSY,SPARK PLUG (Ref # 21160)	21160-1009	1
TERMINAL,PLUG CAP (Ref # 21169)	21169-001	1
CLAMP,SPARK PLUG CAP (Ref # 92037)	92037-1173	1
SPARK PLUG B8ES (Ref # 92070)	B8ES	1
92070-1021 (Canada) (Ref # 92070A)	92070-1022	1
BOLT-FLANGED-SMALL (Ref # 132)	132G0616	2
BOLT-FLANGED-SMALL (Ref # 132A)	132G0620	2