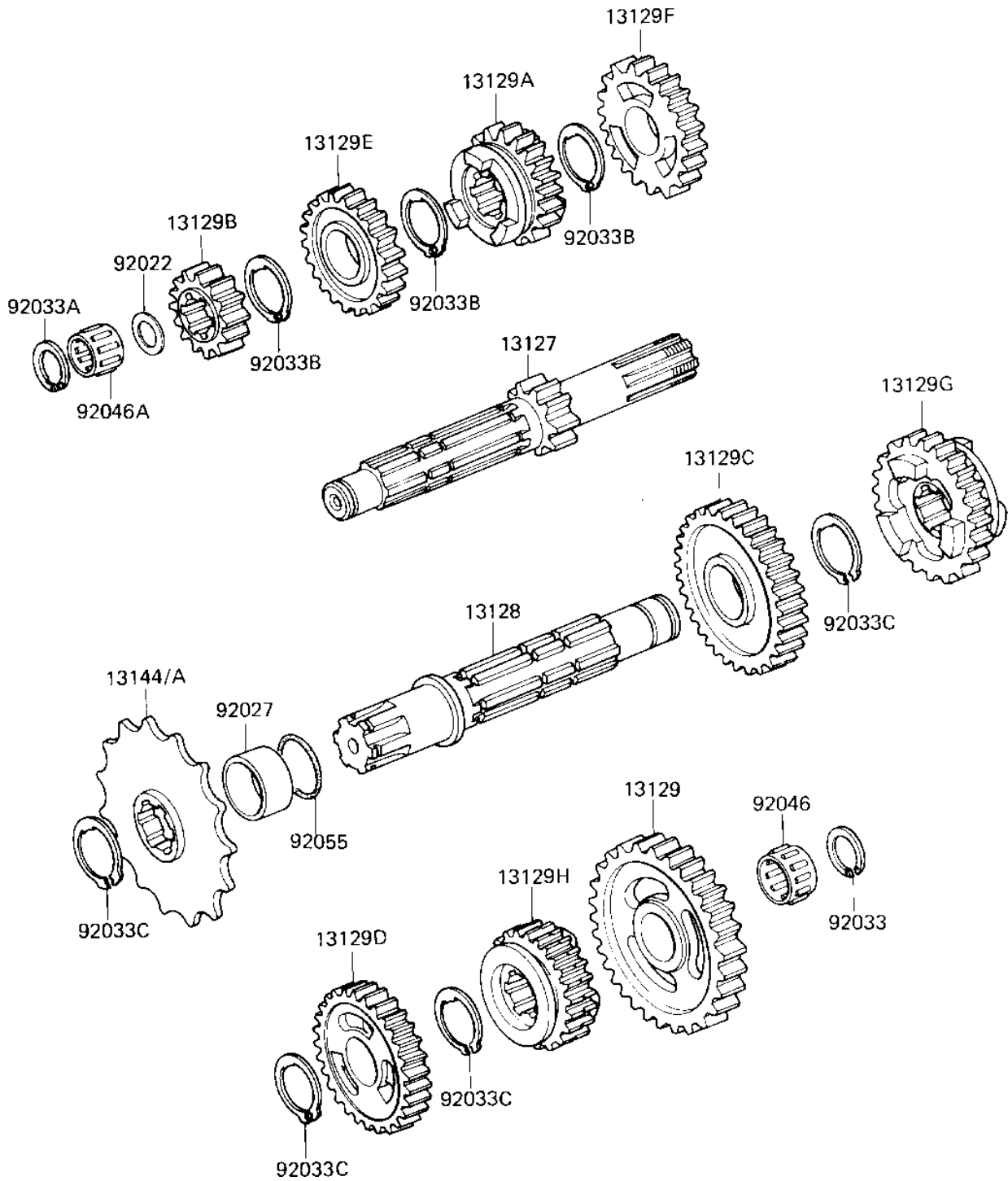


# 1985 Tecate PARTS DIAGRAM

TRANSMISSION ('85 A2)

E1361-0143



# 1985 Tecate PARTS LIST

## TRANSMISSION ('85 A2)

ITEM NAME	PART NUMBER	QUANTITY
SHAFT-TRANSMISSION IN (Ref # 13127)	13127-1063	1
SHAFT-TRANSMISSION OU (Ref # 13128)	13128-1047	1
LOW GEAR,OUTPUT,32T (Ref # 13129)	13129-1160	1
GEAR,INPUT 3RD,18T (Ref # 13129A)	13129-1956	1
GEAR,INPUT 2ND,17T (Ref # 13129B)	13129-1392	1
GEAR,OUTPUT 2ND,30T (Ref # 13129C)	13129-1394	1
GEAR,OUTPUT 3RD,25T (Ref # 13129D)	13129-1421	1
GEAR,INPUT 4TH,20T (Ref # 13129E)	13129-1526	1
GEAR,INPUT TOP,28T (Ref # 13129F)	13129-1527	1
GEAR,OUTPUT 4TH,22T (Ref # 13129G)	13129-1528	1
GEAR,OUTPUT TOP,26T (Ref # 13129H)	13129-1529	1
ENGINE SPROCKET 13T (Ref # 13144)	13144-055	1
ENGINE SPROCKET,14T (Ref # 13144A)	13144-1006	1
WASHER,PLAIN (Ref # 92022)	92022-271	1
COLLAR-ENG SPROKET (Ref # 92027)	92027-163	1
CIRCLIP,18MM (Ref # 92033)	92033-029	1
CIRCLIP,16MM (Ref # 92033A)	92033-032	1
RING-SNAP (Ref # 92033B)	92033-1231	3
RING-SNAP,25MM (Ref # 92033C)	92033-1089	4
BEARING-NEEDLE,KT2026 (Ref # 92046)	92046-1170	1
BEARING-NEEDLE (Ref # 92046A)	92046-1184	1
"O" RING (Ref # 92055)	92055-035	1