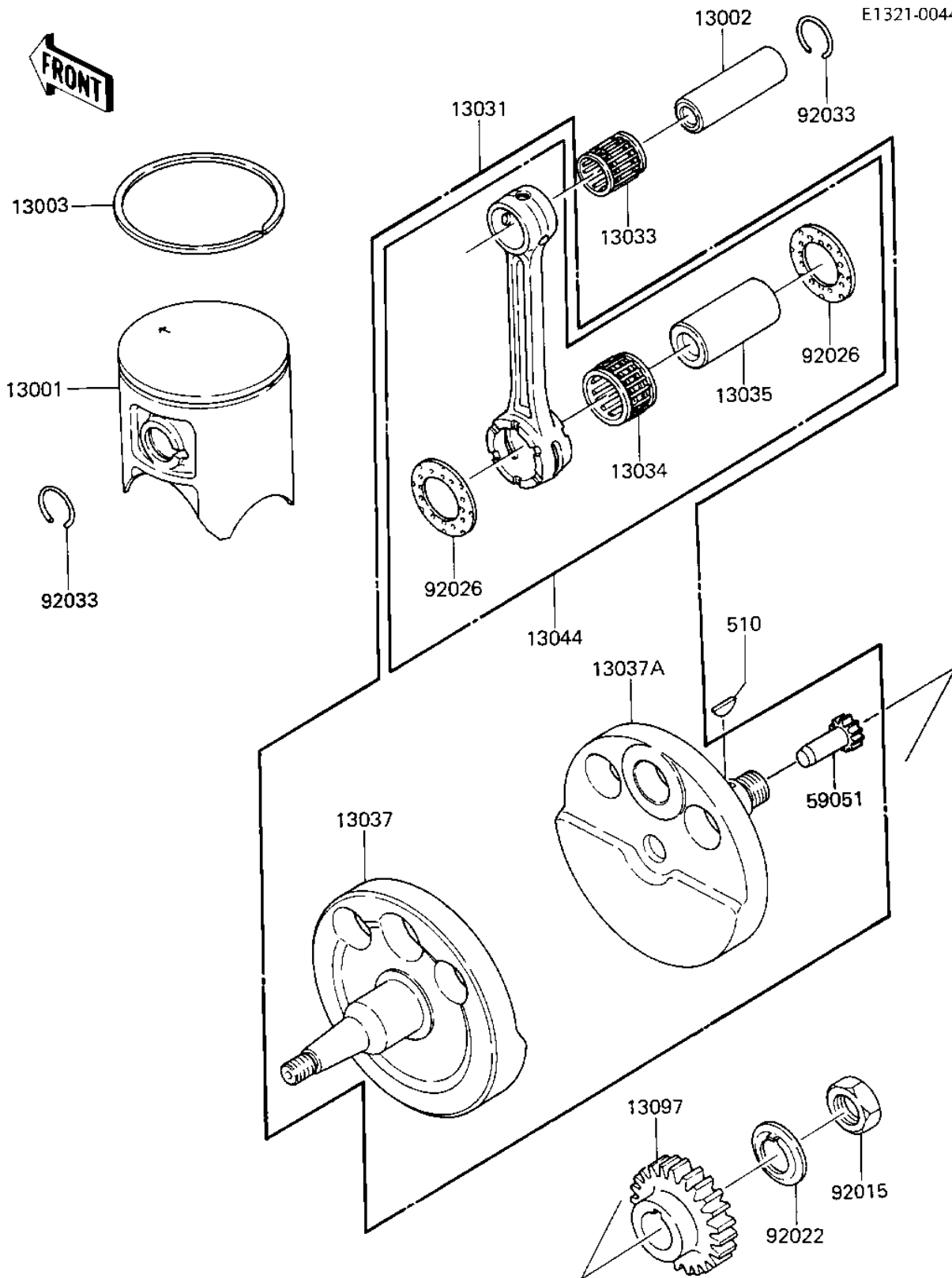


1985 KX500 PARTS DIAGRAM

CRANKSHAFT/PISTON

E1321-0044



1985 KX500 PARTS LIST

CRANKSHAFT/PISTON

ITEM NAME	PART NUMBER	QUANTITY
PISTON-ENGINE (Ref # 13001)	13001-1199	1
PIN-PISTON (Ref # 13002)	13002-031	1
RING-PISTON TOP (Ref # 13003)	13003-1113	1
CRANKSHAFT-COMP (Ref # 13031)	13031-1182	1
BEARING-SMALL END,KTV (Ref # 13033)	13033-1055	1
BEARING-BIG END (Ref # 13034)	13034-1051	1
PIN-CRANK (Ref # 13035)	13035-1008	1
CRANKSHAFT,LH (Ref # 13037)	13037-1143	1
CRANKSHAFT-COMP (Ref # 13037A)	13031-1182	1
SET-CONNECTING ROD (Ref # 13044)	13044-5048	1
GEAR-PRIMARY SPUR,26T (Ref # 13097)	13097-1133	1
GEAR-SPUR,WATER PUMP, (Ref # 59051)	59051-1128	1
NUT 18MM (Ref # 92015)	92015-019	1
WASHER,CLAW,18MM (Ref # 92022)	92022-1378	1
WASHER,CONROD SIDE (Ref # 92026)	92026-093	2
CIRCLIP PISTON PIN (Ref # 92033)	92036-008	2
WOODRUFF KEY (Ref # 510)	510A5100	1