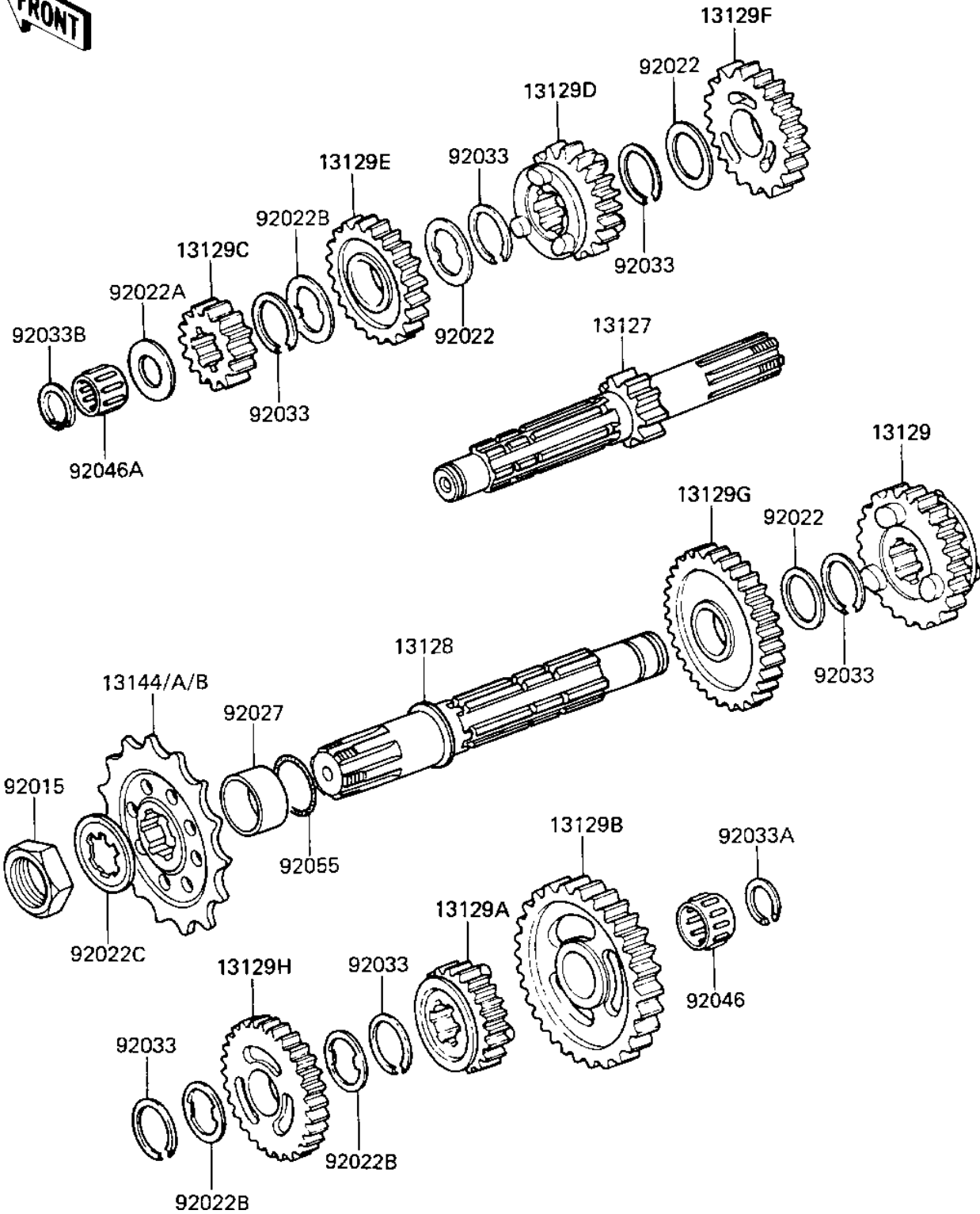


# 1985 KX500 PARTS DIAGRAM

TRANSMISSION

E1361-0090



# 1985 KX500 PARTS LIST

## TRANSMISSION

ITEM NAME	PART NUMBER	QUANTITY
SHAFT-TRANSMISSION IN (Ref # 13127)	13127-1118	1
SHAFT-TRANSMISSION OU (Ref # 13128)	13128-1042	1
4TH GEAR,OUTPUT,21T (Ref # 13129)	13129-1132	1
TOP GEAR,OUTPUT,19T (Ref # 13129A)	13129-1133	1
LOW GEAR,OUTPUT,32T (Ref # 13129B)	13129-1180	1
GEAR,INPUT 2ND,22T (Ref # 13129C)	13129-1407	1
GEAR,INPUT 3RD,22T (Ref # 13129D)	13129-1408	1
GEAR,INPUT 4TH,22T (Ref # 13129E)	13129-1409	1
GEAR,INPUT TOP,24T (Ref # 13129F)	13129-1410	1
GEAR-OUTPUT 2ND,32T (Ref # 13129G)	13129-1622	1
GEAR-TRANSMISSION SPU (Ref # 13129H)	13129-1679	1
ENGINE SPROCKET 13T (Ref # 13144)	13144-055	1
ENGINE SPROCKET,14T (Ref # 13144A)	13144-1006	1
SPROCKET,ENGINE,15T (Ref # 13144B)	13144-1026	1
NUT BEARING ADJUST (Ref # 92015)	42045-008	1
WASHER-PLAIN 25MM (Ref # 92022)	92022-159	2
WASHER,17.3X28X1.0 (Ref # 92022A)	92022-255	1
WASHER-LOCK (Ref # 92022B)	92024-038	4
WASHER,LOCK (Ref # 92022C)	92024-065	1
COLLAR,25X32X10.5 (Ref # 92027)	92143-1370	1
CIRCLIP (Ref # 92033)	92033-026	6
CIRCLIP,18MM (Ref # 92033A)	92033-029	1
CIRCLIP,16MM (Ref # 92033B)	92033-032	1
BEARING-NEEDLE,KT2026 (Ref # 92046)	92046-1170	1
BEARING-NEEDLE (Ref # 92046A)	92046-1184	1
"O" RING (Ref # 92055)	92055-035	1