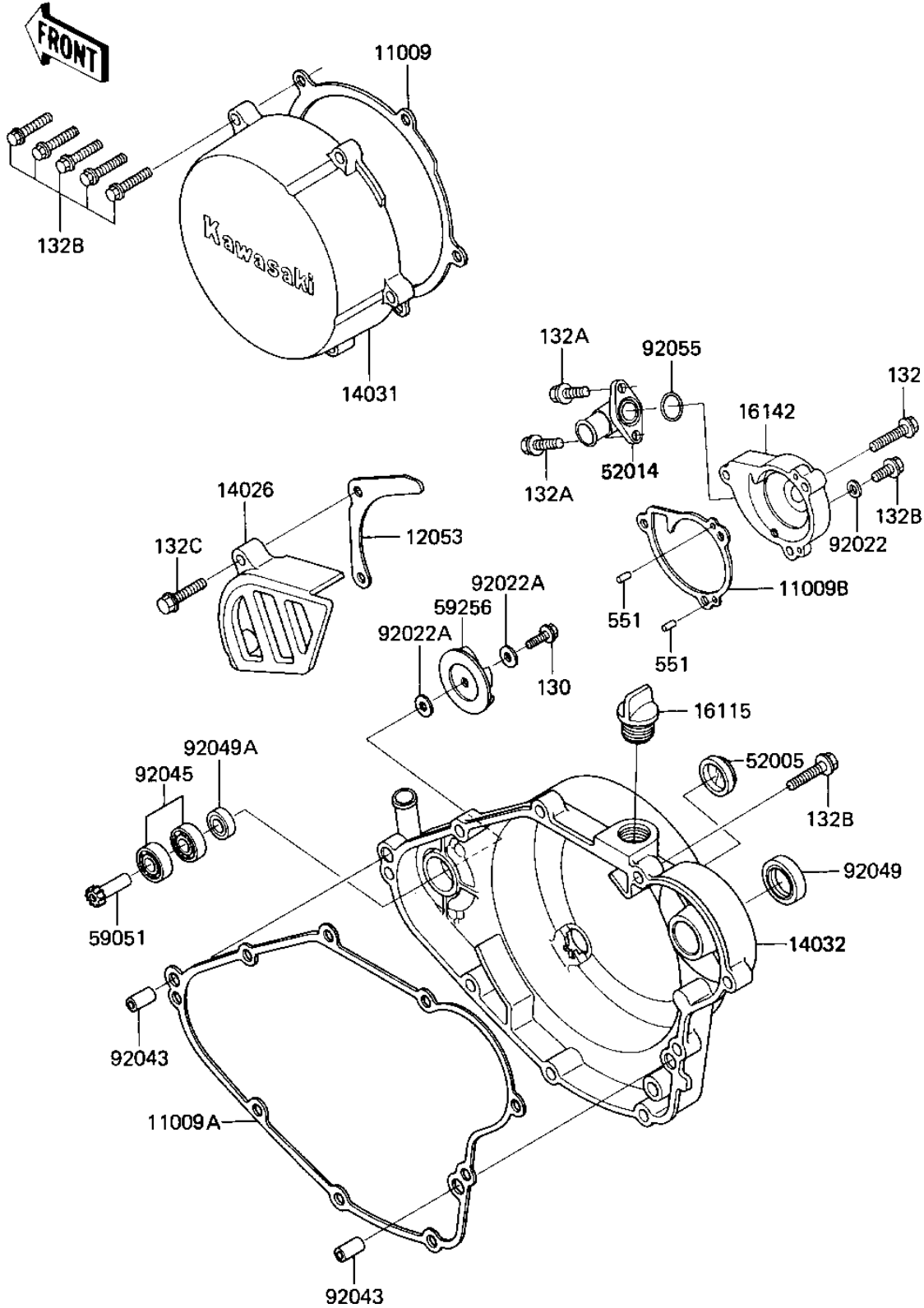


1985 KX500 PARTS DIAGRAM

ENGINE COVERS/WATER PUMP

E1451-0170



1985 KX500 PARTS LIST

ENGINE COVERS/WATER PUMP

ITEM NAME	PART NUMBER	QUANTITY
GASKET,GENERATOR COVE (Ref # 11009)	11009-1964	1
GASKET,CLUTCH COVER (Ref # 11009A)	11009-1290	1
GASKET,WATER PUMP COV (Ref # 11009B)	11009-1962	1
GUIDE-CHAIN (Ref # 12053)	12053-1172	1
COVER-CHAIN (Ref # 14026)	14026-1119	1
COVER-GENERATOR (Ref # 14031)	14031-1091	1
COVER-CLUTCH (Ref # 14032)	14032-1184	1
FILLER,OIL (Ref # 16115)	16115-018	1
COVER-PUMP,WATER (Ref # 16142)	16142-1060	1
GAUGE,OIL LEVEL (Ref # 52005)	52005-1055	1
ELBOW,CYLINDER (Ref # 52014)	52014-1004	1
GEAR-SPUR,WATER PUMP, (Ref # 59051)	59051-1129	1
IMPELLER (Ref # 59256)	59256-1057	1
WASHER OIL PUMP BANJO (Ref # 92022)	92022-077	1
WASHER,5.2X13X1 (Ref # 92022A)	92022-1380	2
PIN-DOWEL (Ref # 92043)	92042-007	1
BEARING-BALL (Ref # 92045)	92045-1212	2
OIL SEAL SB20285 (Ref # 92049)	92049-012	1
SEAL-OIL,MHSD8X18X10J (Ref # 92049A)	92049-1366	1
"O" RING (Ref # 92055)	92055-055	1
BOLT-FLANGED (Ref # 130)	130P0514	1
BOLT-FLANGED-SMALL (Ref # 132)	132G0608	1
BOLT-FLANGED-SMALL (Ref # 132A)	132G0616	2
BOLT-FLANGED-SMALL (Ref # 132B)	132G0625	17
BOLT-FLANGED-SMALL (Ref # 132C)	132G0630	2
PIN,DOWEL,4X8 (Ref # 551)	551A0408	2