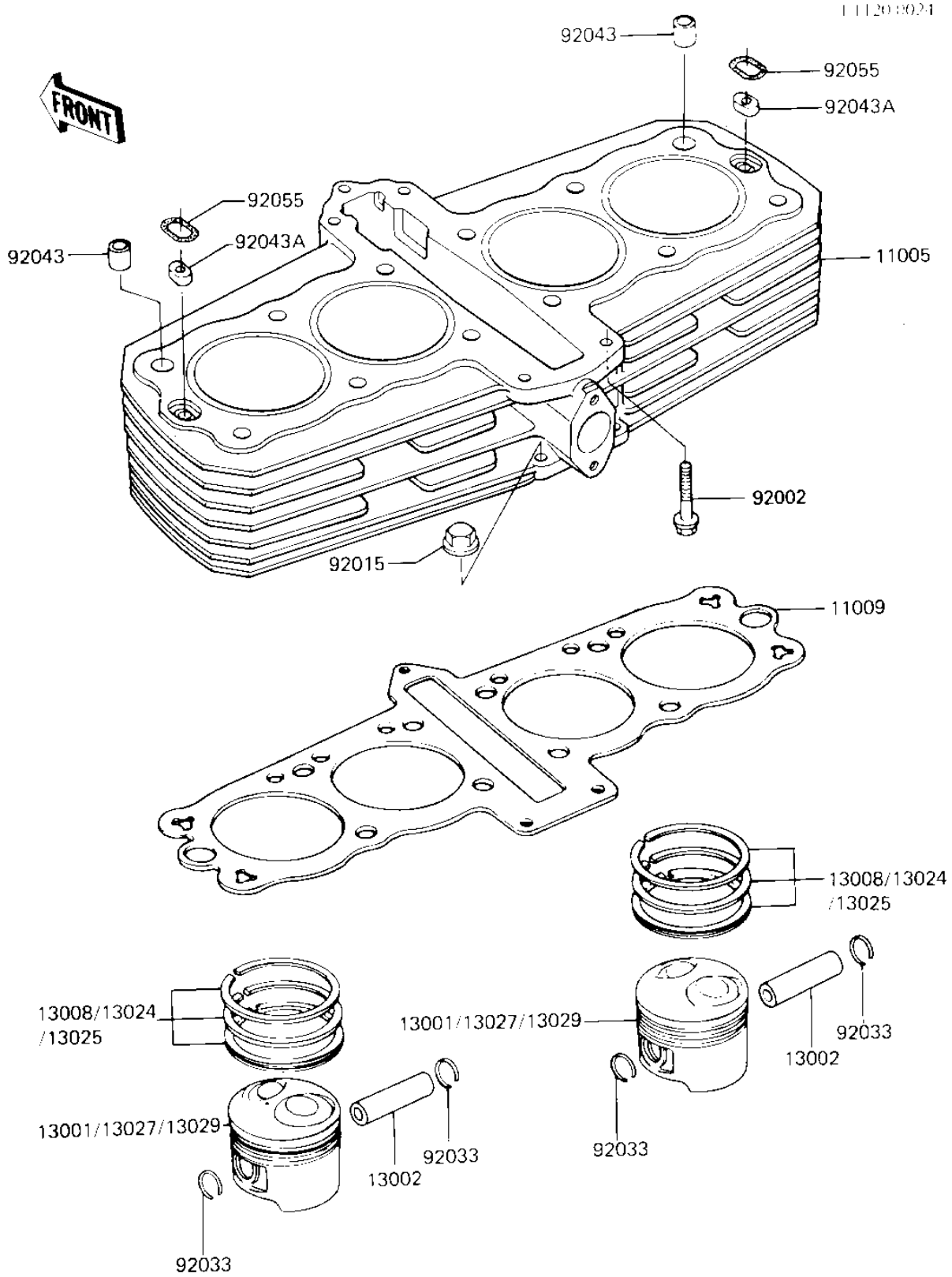


1984 GPz PARTS DIAGRAM

CYLINDER/PISTONS



1984 GPz PARTS LIST

CYLINDER/PISTONS

ITEM NAME	PART NUMBER	QUANTITY
CYLINDER-ENGINE (Ref # 11005)	11005-1313	1
GASKET,CYLINDER BASE (Ref # 11009)	11009-1932	1
PISTON-ENGINE,STD (Ref # 13001)	13001-1166	4
PIN-PISTON (Ref # 13002)	13002-1012	4
RING-SET-PISTON,STD (Ref # 13008)	13008-1009	4
RING-SET-PISTON-LL (Ref # 13024)	13024-1010	4
RING-SET-PISTON-L (Ref # 13025)	13025-1010	4
PISTON-ENGINE LL,0/S, (Ref # 13027)	13027-1112	4
PISTON-ENGINE L,0/S,0 (Ref # 13029)	13029-1111	4
BOLT,6X28 (Ref # 92002)	92002-1104	5
NUT,CAP 6MM,BLACK (Ref # 92015)	92015-1170	3
CIRCLIP,PISTON (Ref # 92033)	92033-1050	8
PIN,DOWEL,12MM (Ref # 92043)	92042-031	2
PIN,OIL LINE (Ref # 92043A)	92043-1210	2
RING-O (Ref # 92055)	92055-1147	2