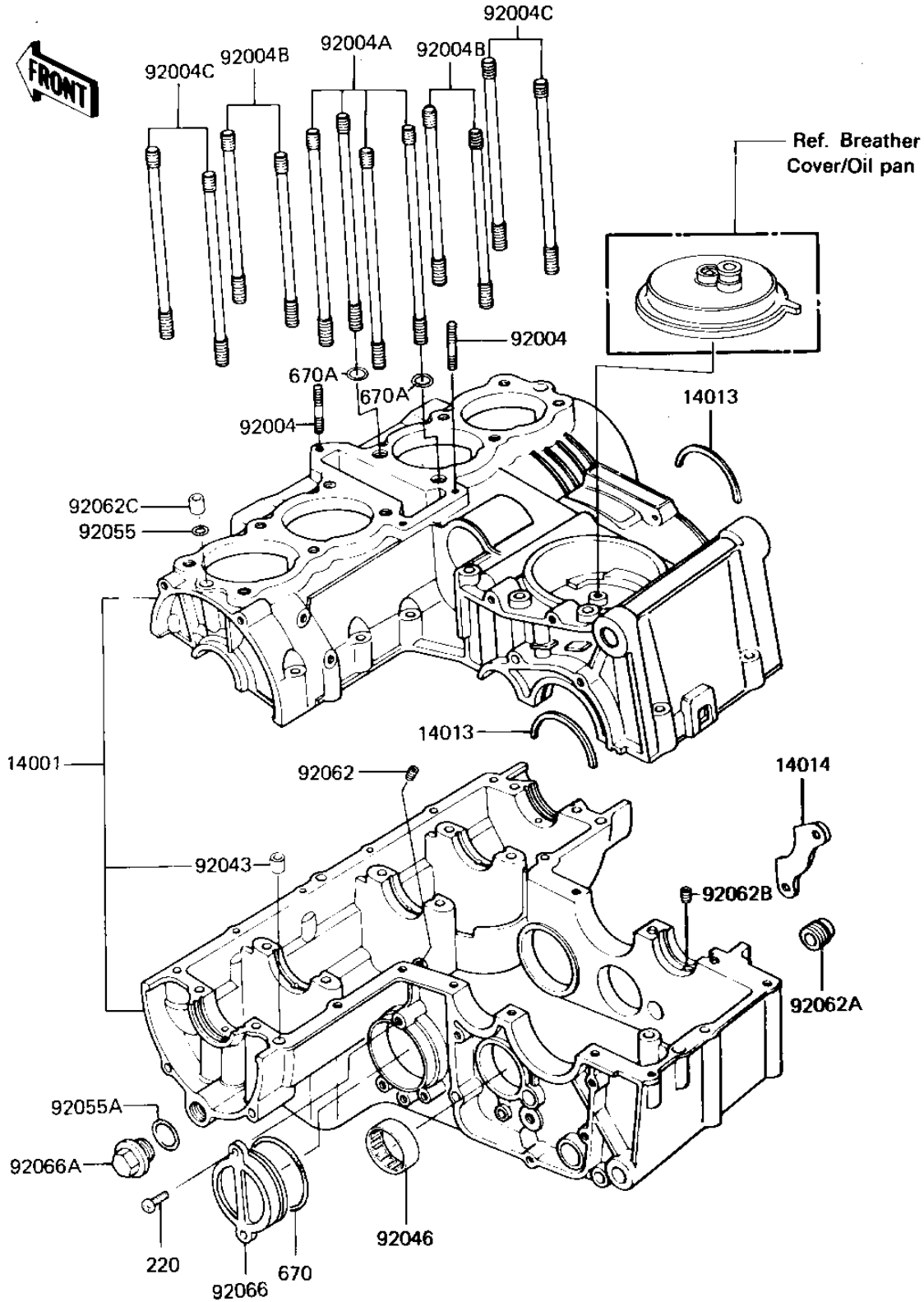


1985 GPz PARTS DIAGRAM

CRANKCASE

E1411-0100



1985 GPz PARTS LIST

CRANKCASE

| ITEM NAME | PART NUMBER | QUANTITY |
|--------------------------------------|-------------|----------|
| SET-CRANKCASE,F.BLACK (Ref # 14001) | 14001-5146 | 1 |
| RING BEARING SETTING (Ref # 14013) | 14013-004 | 2 |
| PLATE,POSITION (Ref # 14014) | 14014-1006 | 1 |
| STUD (Ref # 92004) | 92004-059 | 3 |
| STUD,8X146 (Ref # 92004A) | 92004-1016 | 4 |
| STUD,8X108.5 (Ref # 92004B) | 92004-1017 | 4 |
| STUD,8X128.5 (Ref # 92004C) | 92004-1018 | 4 |
| PIN,DOWEL,10X8.2X14 (Ref # 92043) | 92043-1037 | 2 |
| BRG,NEDL,37BTM4312 (Ref # 92046) | 92046-051 | 1 |
| O RING (Ref # 92055) | 670D2010 | 2 |
| RING-O (Ref # 92055A) | 92055-1146 | 2 |
| NOZZLE,OIL BIAS (Ref # 92062) | 92062-011 | 1 |
| NOZZLE (Ref # 92062A) | 92062-014 | 1 |
| NOZZLE (Ref # 92062B) | 92062-015 | 1 |
| NOZZLE (Ref # 92062C) | 92062-016 | 2 |
| PLUG,SECONDARY SHAFT (Ref # 92066) | 92066-1019 | 1 |
| PLUG,MAIN GALLERY,18X (Ref # 92066A) | 92066-1096 | 2 |
| SCREW PAN HEAD 6X20 (Ref # 220) | 220B0620 | 2 |
| "O" RING,46MM (Ref # 670) | 670B3046 | 1 |
| "O" RING,8M/M (Ref # 670A) | 670D1508 | 2 |